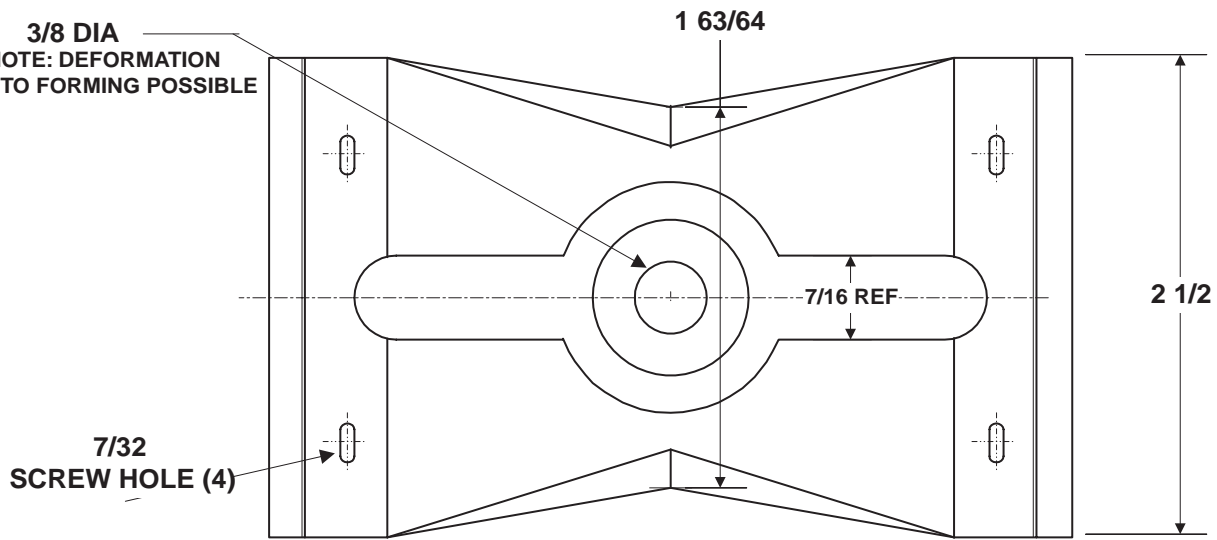
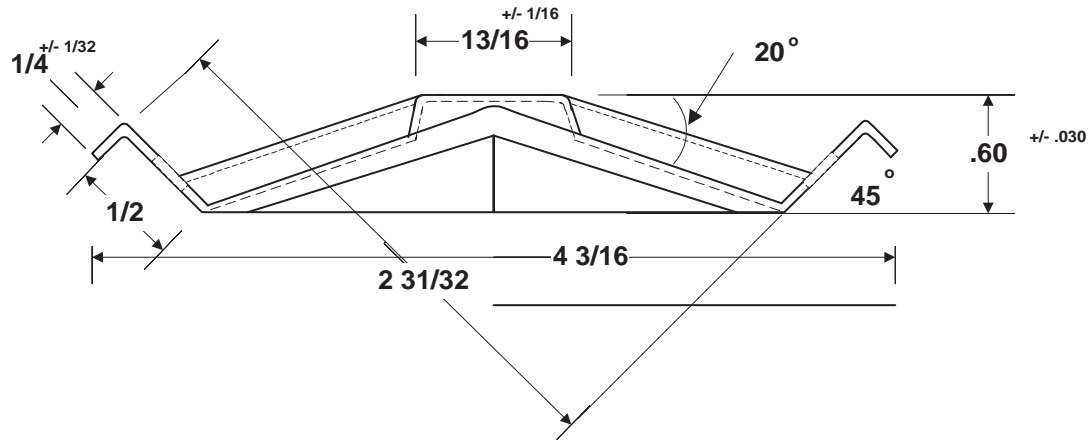


3/8 DIA
NOTE: DEFORMATION
DUE TO FORMING POSSIBLE



7/32
SCREW HOLE (4)



MATERIAL:
16 GA (.0598) SAE 1008/1010
CR STEEL

F			TOLERANCES (EXCEPT AS NOTED)	FIGLEY STAMPING CO. DEFIANCE, OH 43512 PHONE: (419)782-6896 FAX: (419)784-5721
E				
D			FRACTION: +/- 1/16	PART NO.: 10505
C			2 PL DEC.: +/- .050	
B			3 PL DEC.: +/- .010	PART NAME: STANDARD K-D TABLE LEG CLAMP
A	REDRAWN 9/9/03	MGZ	ANGLES: +/- 1 DEGREE	
NO.	DATE	BY		DRAWN BY: MGZ
REVISIONS			DATE: SEPTEMBER 9, 2003	DO NOT SCALE