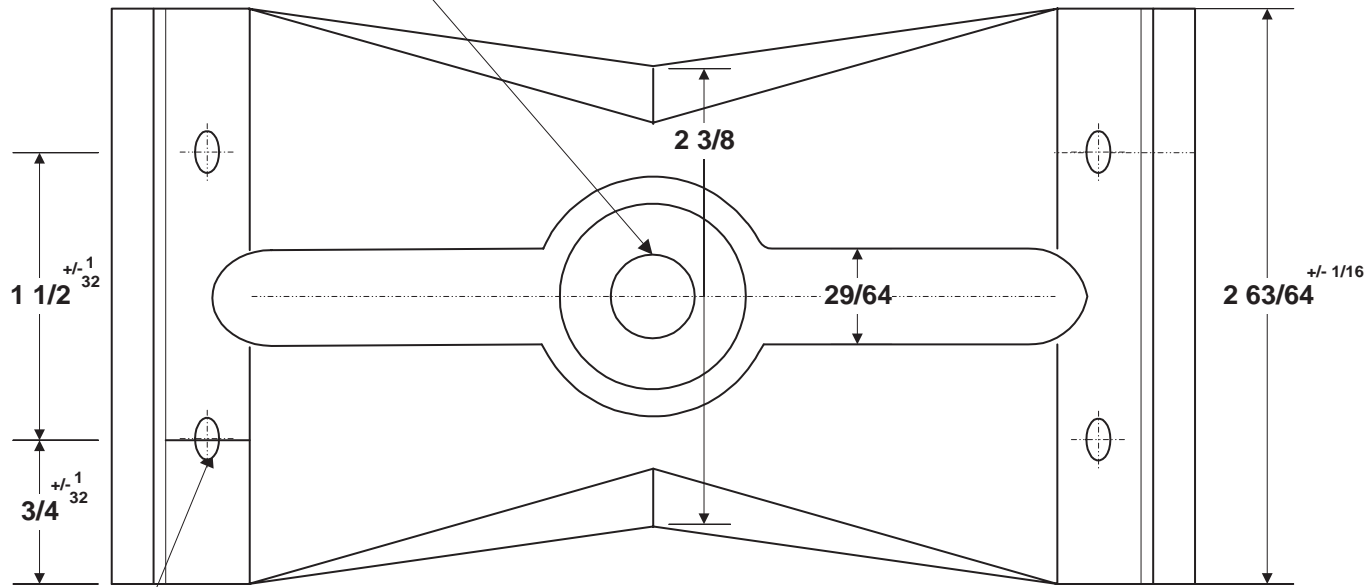


7/16 HOLE, STRETCHING PERMISSABLE

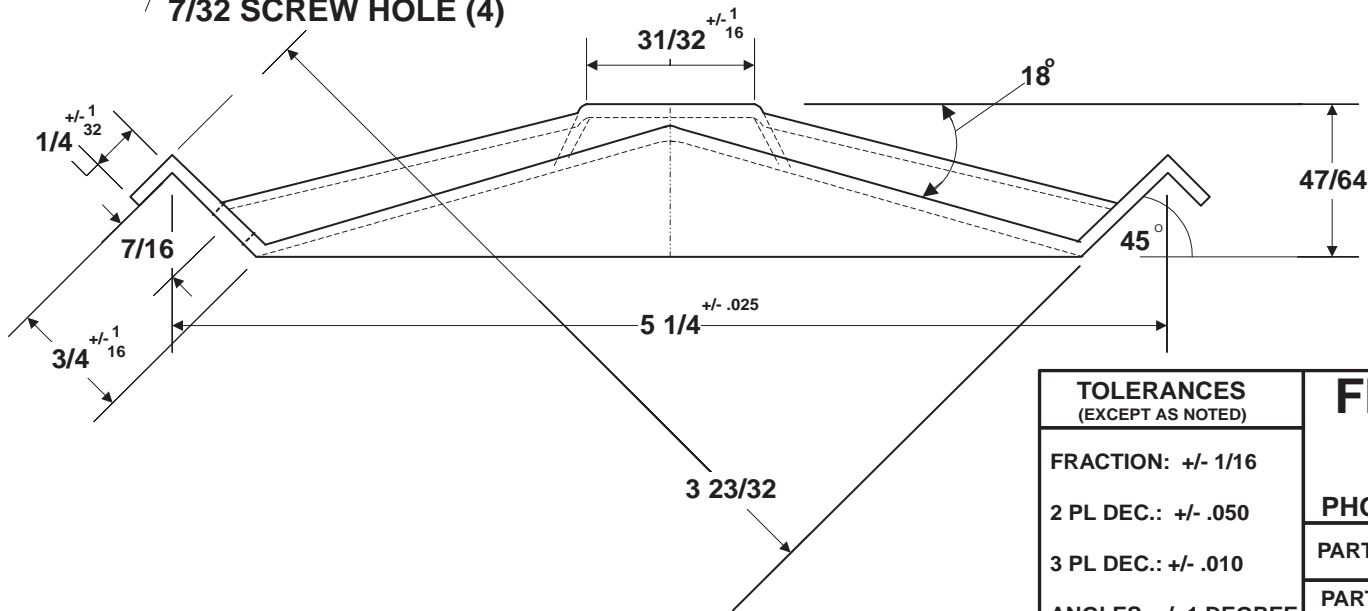


F		
E		
D		
C		
B		
A	REDRAWN 9/9/03	MGZ
NO.	DATE	BY
REVISIONS		

NOTES:
 1.) DISTORTION DUE TO FORMING OF PIERCED HOLES PERMISSIBLE.

**MATERIAL: 15 GA. (.0673)
 HRP&O STEEL**

7/32 SCREW HOLE (4)



TOLERANCES (EXCEPT AS NOTED)
FRACTION: +/- 1/16
2 PL DEC.: +/- .050
3 PL DEC.: +/- .010
ANGLES: +/- 1 DEGREE
DATE: SEPTEMBER 9, 2003

FIGLEY STAMPING CO.	
DEFIANCE, OH 43512	
PHONE: (419)782-6896 FAX: (419)784-5721	
PART NUMBER:	10513
PART NAME:	STANDARD KD TABLE LEG CLAMP
DRAWN BY: MGZ	DO NOT SCALE