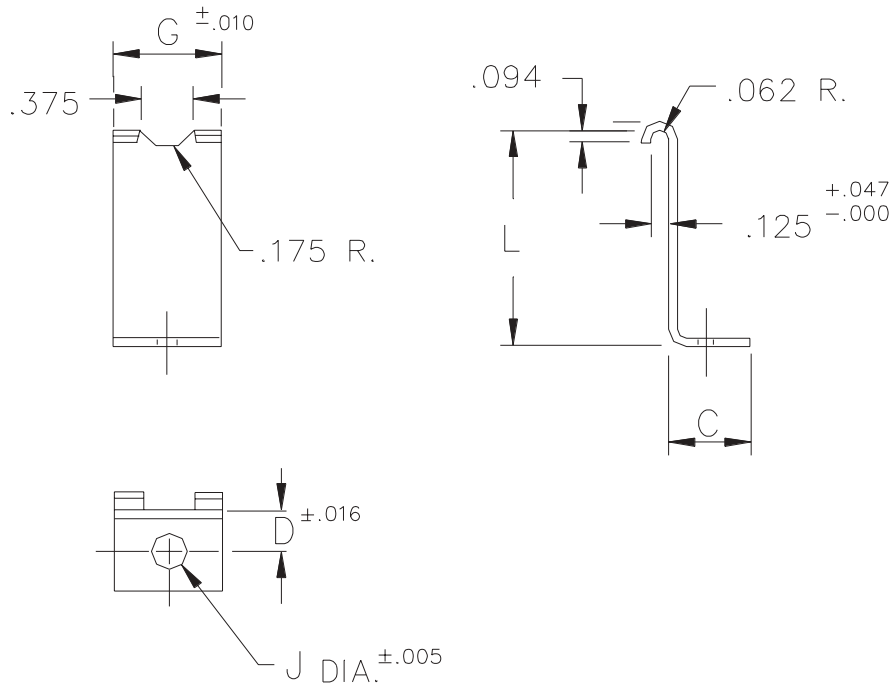


**FIGLEY STAMPING COMPANY**  
**PHONE: 419-782-6896 FAX: 419-784-5121**

**1C1010-F Series**

REVISOR BY \_\_\_\_\_ APPROVED BY \_\_\_\_\_  
 DATE \_\_\_\_\_ DATE \_\_\_\_\_



FIGLEY STAMPING PART NUMBER WILL BE IMPRINTED ON THE BRKT. UNLESS OTHERWISE SPECIFIED

PART NO.	DIM. "G"	DIM. "L"	DIM. "C"	DIM. "D"	DIM. "J"
01	.750	1.500	.562	.250	.187
02	.750	2.125	.562	.250	.187
03	.750	2.750	.562	.250	.187
04	.750	3.125	.562	.250	.187
05	.750	3.750	.562	.250	.187
06	.750	4.625	.562	.250	.187
07	.750	2.375	.562	.250	.187
08	.750	3.375	.562	.250	.187
09	.750	4.125	.562	.250	.187
10					
11					

FINISH AVAILABLE: ZINC

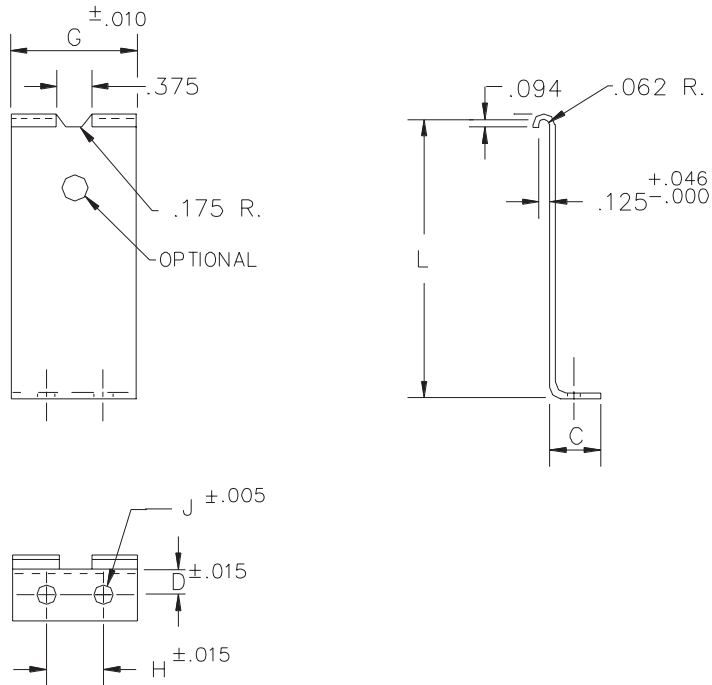
THIS DRAWING AND INFORMATION IS THE PROPERTY OF FIGLEY STAMPING IT IS LENT ON THE CONDITION THAT IT, IN WHOLE OR IN PART, SHALL NOT BE REPRODUCED, COPIED, LENT OR DISCLOSED TO ANY THIRD PARTY WITHOUT THE WRITTEN CONSENT OF FIGLEY STAMPING AND SHALL BE RETURNED TO FIGLEY STAMPING.

E			TOLERANCES (EXCEPT AS NOTED)		<b>FIGLEY STAMPING COMPANY</b>
D					
C			DECIMAL :	PART NAME: 1C1010-F CAPACITOR BRKT.	
B			.XX ±		
A	12/91	NEP	.XXX ± .031	MATL: 16 GA. C.R. STEEL	
NO.	DATE	BY	ANGULAR :	DATE: 8/1/87	DR. BY: S.J.J.
REVISIONS			±	CAD NO.:	1010F1P1

**FIGLEY STAMPING COMPANY**  
**PHONE: 419-782-6896 FAX: 419-784-5121**

**1C1010-F Series**


THIS DRAWING AND INFORMATION IS THE PROPERTY OF FIGLEY STAMPING. IT IS LENT ON THE CONDITION THAT IT, IN WHOLE OR IN PART, SHALL NOT BE REPRODUCED, COPIED, LENT OR DISCLOSED TO ANY THIRD PARTY WITHOUT THE WRITTEN CONSENT OF FIGLEY STAMPING AND SHALL BE RETURNED TO FIGLEY STAMPING.



PART NO.	DIM. "G"	DIM. "L"	DIM. "C"	DIM. "D"	DIM. "J"	DIM. "H"
51	1.375	3.125	.562	.312	.213	.625
52	1.375	3.750	.562	.312	.213	.625
53	1.375	3.875	.562	.312	.213	.625
54	1.375	4.125	.562	.312	.213	.625
55	1.375	4.625	.562	.312	.213	.625
56						
57						
58						
59						

FIGLEY STAMPING PART NUMBER WILL BE IMPRINTED ON THE BRKT. UNLESS OTHERWISE SPECIFIED

FINISH AVAILABLE: ZINC

<b>E</b>			TOLERANCES (EXCEPT AS NOTED)	 <b>FIGLEY STAMPING COMPANY</b>
<b>D</b>				
<b>C</b>			DECIMAL :	PART NAME: <b>1C1010-F CAPACITOR BRKT.</b>
<b>B</b>			.XX ±	
<b>A</b>	12/16/91	NEP	.XXX ± .031	
<b>NO.</b>	<b>DATE</b>	<b>BY</b>	ANGULAR :	MATL: <b>16 GA. C.R. STEEL</b>
<b>REVISIONS</b>			±	DATE: <b>7/22/88</b>   DR. BY: <b>S.J.J.</b>   PART NO.: <b>1010F2P1</b>

**FIGLEY STAMPING COMPANY**  
**PHONE: 419-782-6896 FAX: 419-784-5121**


**1C1010-F Series**

THIS DRAWING AND INFORMATION IS THE PROPERTY OF FIGLEY STAMPING. IT IS LENT ON THE CONDITION THAT IT, IN WHOLE OR IN PART, SHALL NOT BE REPRODUCED, COPIED, LENT OR DISCLOSED TO ANY THIRD PARTY WITHOUT THE WRITTEN CONSENT OF FIGLEY STAMPING AND SHALL BE RETURNED TO FIGLEY STAMPING.

PART NO.	DIM. "G"	DIM. "L"	DIM. "C"	DIM. "D"	DIM. "J"	DIM. "H"
119						
120						
121						
122						
123						
124						
125						
126	4.250	3.750	.688	.312	.281	3.375
127	4.250	4.250	.688	.312	.281	3.375
128	4.250	4.625	.688	.312	.281	3.375
129	4.250	5.000	.688	.312	.281	3.375
130	4.250	5.375	.688	.312	.281	3.375
131	4.250	5.875	.688	.312	.281	3.375
132	4.250	6.375	.688	.375	.281	3.375
133	4.250	6.875	.688	.375	.281	3.375
134	4.250	7.375	.688	.375	.281	3.375
135	4.250	8.375	.688	.375	.281	3.375
136	4.250	9.500	.688	.375	.281	3.375
137						
138						
139						
140						
141						
142						
143						
144						
145						
146						
147						
148						
149						
150						
151						
152						
153						
154						
155						
156						
157						
158						
159						
160						
161						
162						

FIGLEY STAMPING PART NUMBER WILL BE IMPRINTED ON THE BRKT. UNLESS OTHERWISE SPECIFIED

FINISH AVAILABLE: ZINC

<b>E</b>			<b>TOLERANCES</b> (EXCEPT AS NOTED)  <b>DECIMAL :</b>  .XX ± .XXX ± .031	 <b>FIGLEY STAMPING</b> <b>COMPANY</b>
<b>D</b>				
<b>C</b>				
<b>B</b>				
<b>A</b>	12/16/91	NEP	<b>PART NAME:</b> 1C1010-F CAPACITOR BRKT.	<b>MATL:</b> 16 GA. C.R.S.
<b>NO.</b>	<b>DATE</b>	<b>BY</b>	<b>DATE:</b> 7/22/87	
<b>REVISIONS</b>			<b>DR. BY:</b> S.J.J. <b>PART NO.:</b> 1010F2P3	


**FIGLEY STAMPING COMPANY**  
**PHONE: 419-782-6896 FAX: 419-784-5121**

**1C1010-F Series**

THIS DRAWING AND INFORMATION IS THE PROPERTY OF FIGLEY STAMPING. IT IS LENT ON THE CONDITION THAT IT, IN WHOLE OR IN PART, SHALL NOT BE REPRODUCED, COPIED, LENT OR DISCLOSED TO ANY THIRD PARTY WITHOUT THE WRITTEN CONSENT OF FIGLEY STAMPING AND SHALL BE RETURNED TO FIGLEY STAMPING.

PART NO.	DIM. "G"	DIM. "L"	DIM. "C"	DIM. "D"	DIM. "J"	DIM. "H"
68						
69						
70						
71						
72						
73						
74						
75						
76	1.875	2.625	.688	.312	.213	1.250
77	1.875	3.250	.688	.312	.213	1.250
78	1.875	3.750	.688	.312	.213	1.250
79	1.875	4.375	.688	.312	.213	1.250
80	1.875	4.625	.688	.312	.213	1.250
81	1.875	5.000	.688	.312	.213	1.250
82	1.875	5.625	.688	.312	.213	1.250
83						
84						
85						
86						
87						
88						
89						
90						
91						
92						
93						
94						
95						
96						
97						
98						
100						
101	2.813	4.375	.688	.312	.213	1.938
102	2.813	4.625	.688	.312	.213	1.938
103	2.813	5.000	.688	.312	.213	1.938
104	2.813	5.375	.688	.312	.213	1.938
105	2.813	4.875	.688	.312	.213	1.938
106						
107						
108						
109						
110						
111						
112						
113						
114						
115						
116						

FIGLEY STAMPING PART NUMBER WILL BE IMPRINTED ON THE BRKT. UNLESS OTHERWISE SPECIFIED  
 FINISH AVAILABLE: ZINC

<b>E</b>			<b>TOLERANCES</b> (EXCEPT AS NOTED)	
<b>D</b>				
<b>C</b>			DECIMAL :	PART NAME: <b>1C1010-F</b> <b>CAPACITOR CAP</b>
<b>B</b>	ECN 0127 06/30/95	S.J.J.	.XX ±	
<b>A</b>	1/15/92	NEP	.XXX ± .031	
<b>NO.</b>	<b>DATE</b>	<b>BY</b>	<b>ANGULAR :</b>	<b>MATL:</b> 16 GA. C.R.S.
<b>REVISIONS</b>			±	<b>DATE:</b> 7/22/87 <b>DR. BY:</b> S.J.J. <b>PART NO.:</b> 1010F2P2