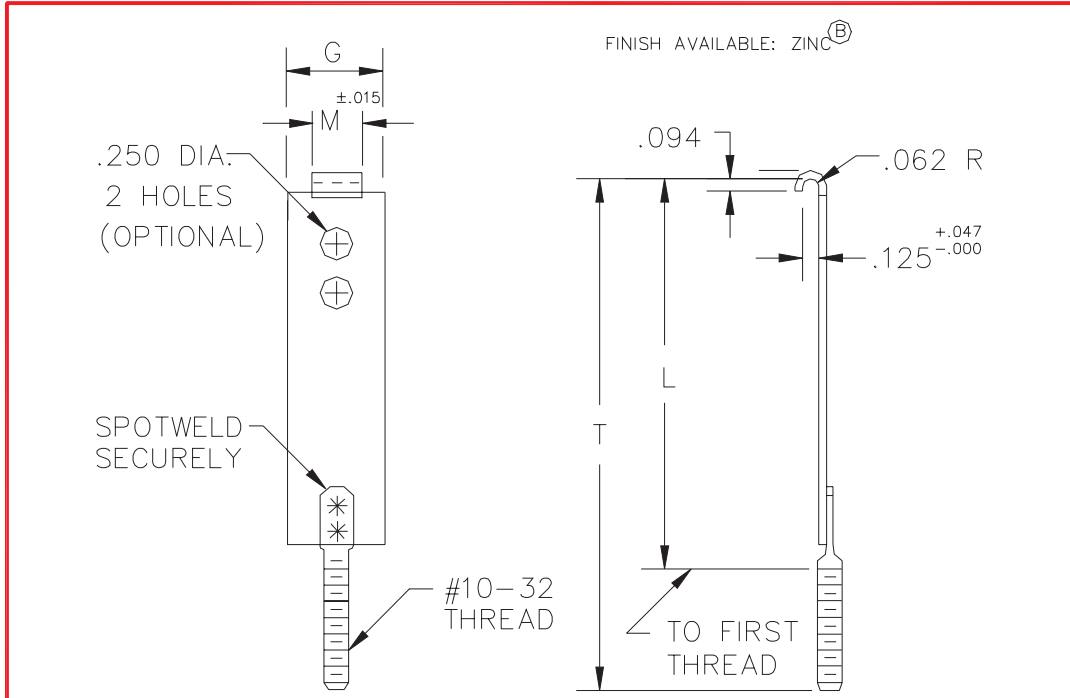


FIGLEY STAMPING COMPANY
PHONE: 419-782-6896 FAX: 419-784-5121

1C1020-S SERIES



FIGLEY STAMPING PART NUMBER WILL BE IMPRINTED ON THE BRKT. UNLESS OTHERWISE SPECIFIED

PART NO.	DIM. "G" MAX.	DIM. "L"	DIM. "T"	DIM. "M"	CASE HEIGHT
01	.625	1.250	2.250	.391	1.500
02	.625	1.375	2.375	.391	1.625
03	.625	1.750	2.750	.391	2.000
04	.625	1.875	2.875	.391	2.125
05	.625	2.000	3.000	.391	2.250
06	.625	2.250	3.250	.391	2.500
07	.625	2.375	3.375	.391	2.625
08	.625	2.500	3.500	.391	2.750
09	.625	2.625	3.625	.391	2.875
10	.625	2.938	3.938	.391	3.188
11	.625	3.000	4.000	.391	3.250
12	.625	3.125	4.125	.391	3.375
13	.625	3.250	4.250	.391	3.500
14	.625	3.375	4.375	.391	3.625
15	.625	3.531	4.531	.391	3.750
16	.625	3.594	4.594	.391	3.813
17	.625	3.625	4.625	.391	3.875
18	.625	3.781	4.781	.391	4.000
19	.625	3.906	4.906	.391	4.125

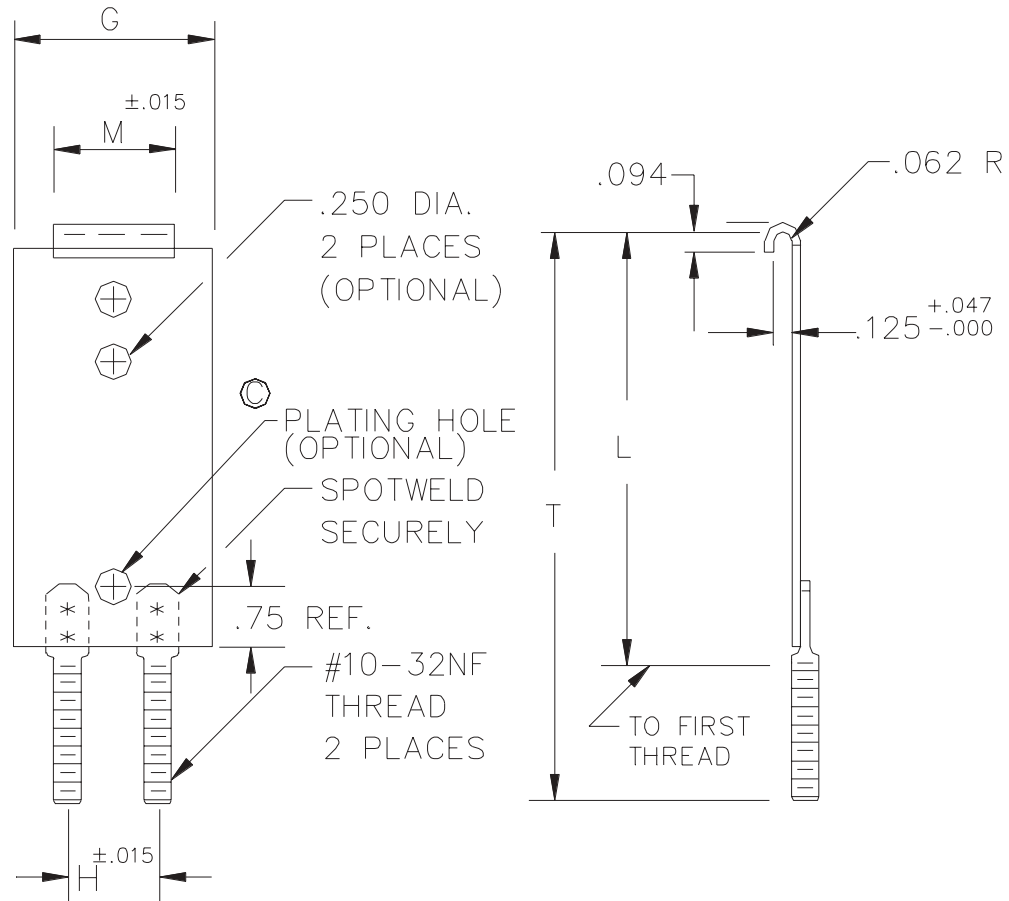
THIS DRAWING AND INFORMATION IS THE PROPERTY OF FIGLEY STAMPING. IT IS LENT ON THE CONDITION THAT IT, IN WHOLE OR IN PART, SHALL NOT BE REPRODUCED, COPIED, LENT OR DISCLOSED TO ANY THIRD PARTY WITHOUT THE WRITTEN CONSENT OF FIGLEY STAMPING AND SHALL BE RETURNED TO FIGLEY STAMPING.

E			TOLERANCES (EXCEPT AS NOTED)	
D				
C			DECIMAL :	
B	6/8/93	S.J.	.XX ±	PART NAME: 1C1020-S CAPACITOR BRKT.
A	1/17/92	NEP	.XXX ± .031	
NO.	DATE	BY	ANGULAR :	MATL: 16 GA. C.R. STEEL
REVISIONS			±	DATE: 7/16/87 DR. BY: S.J.J. PART NO.: 1020S1P1

FIGLEY STAMPING COMPANY
PHONE: 419-782-6896 FAX: 419-784-5121


1C1020-S SERIES

THIS DRAWING AND INFORMATION IS THE PROPERTY OF FIGLEY STAMPING. IT IS LENT ON THE CONDITION THAT IT, IN WHOLE OR IN PART, SHALL NOT BE REPRODUCED, COPIED, LENT OR DISCLOSED TO ANY THIRD PARTY WITHOUT THE WRITTEN CONSENT OF FIGLEY STAMPING AND SHALL BE RETURNED TO FIGLEY STAMPING.



FIGLEY STAMPING PART NUMBER WILL BE IMPRINTED ON THE BRKT. UNLESS OTHERWISE SPECIFIED

FINISH AVAILABLE: ZINC ^(B)

E			TOLERANCES (EXCEPT AS NOTED)	
D			DECIMAL :	
C	ECN 0120 05/31/95	S.J.J.	.XX ±	PART NAME: 1C1020-S CAPACITOR BRKT.
B	6/8/93	S.J.	.XXX ± .031	MATL: 16 GA. C.R. STEEL
A	1/17/92	NEP	ANGULAR :	DATE: 5/10/88 DR. BY: S.J.J. PART NO.: 1020S2P1
NO.	DATE	BY	±	
REVISIONS				

FIGLEY STAMPING COMPANY
PHONE: 419-782-6896 FAX: 419-784-5121


1C1020-S SERIES

FIGLEY STAMPING PART NUMBER WILL BE IMPRINTED ON THE BRKT. UNLESS OTHERWISE SPECIFIED

FINISH AVAILABLE: ZINC[Ⓟ]

PART NO.	DIM. "G" MAX.	DIM. "H"	DIM. "L"	DIM. "T"	DIM. "M"	CASE HEIGHT
50	1.375	.625	1.375	2.375	.844	1.625
51	1.375	.625	1.500	2.500	.844	1.750
52	1.375	.625	1.875	2.875	.844	2.125
53	1.375	.625	2.000	3.000	.844	2.250
54	1.375	.625	2.125	3.125	.844	2.375
55	1.375	.625	2.375	3.375	.844	2.625
56	1.375	.625	2.625	3.625	.844	2.875
57	1.375	.625	2.875	3.875	.844	3.125
58	1.375	.625	3.000	4.000	.844	3.250
59	1.375	.625	3.250	4.250	.844	3.500
60	1.375	.625	3.500	4.500	.844	3.750
61	1.375	.625	3.625	4.625	.844	3.875
62	1.375	.625	3.750	4.750	.844	4.000
63	1.375	.625	3.875	4.875	.844	4.125
64	1.375	.625	4.000	5.000	.844	4.250
65	1.375	.625	4.250	5.250	.844	4.500
66	1.375	.625	4.344	5.344	.844	4.594
67	1.375	.625	3.375	4.375	.844	4.625
68	1.375	.625	4.500	5.500	.844	4.750
69	1.375	.625	4.750	5.750	.844	5.000
70	1.375	.625	5.000	6.000	.844	5.250
71	1.375	.625	5.500	6.500	.844	5.750
72	1.375	.625	5.750	6.750	.844	6.000
73	1.375	.625	6.000	7.000	.844	6.250
74	1.375	.625	6.125	7.125	.844	6.375
75	1.375	.625	6.500	7.500	.844	6.750
76	1.375	.625	7.000	8.000	.844	7.250
77	1.375	.625	7.375	8.375	.844	7.625
78	1.375	.625	7.750	8.750	.844	8.000
79	1.375	.625	8.750	9.750	.844	9.000
80	1.375	.625	4.562	5.562	.844	4.812
81	1.375	.625	2.500	3.500	.844	2.750
82	1.375	.625	4.937	5.937	.844	6.188
83	1.375	.625	5.625	6.625	.844	5.875
84	1.375	.625	3.375	4.375	.844	3.500
85						
86						
87						
88						
89						
90	1.875	1.250	2.000	3.000	1.344	2.250
91	1.875	1.250	2.250	3.250	1.344	2.500
92	1.875	1.250	2.500	3.500	1.344	2.750
93	1.875	1.250	2.562	3.562	1.344	2.813
94	1.875	1.250	3.000	4.000	1.344	3.250
95	1.875	1.250	3.125	4.125	1.344	3.375
96	1.875	1.250	3.250	4.250	1.344	3.500
97	1.875	1.250	3.500	4.500	1.344	3.750
98	1.875	1.250	3.562	4.562	1.344	3.813
99	1.875	1.250	3.625	4.625	1.344	3.875

THIS DRAWING AND INFORMATION IS THE PROPERTY OF FIGLEY STAMPING. IT IS LENT ON THE CONDITION THAT IT, IN WHOLE OR IN PART, SHALL NOT BE REPRODUCED, COPIED, LENT OR DISCLOSED TO ANY THIRD PARTY WITHOUT THE WRITTEN CONSENT OF FIGLEY STAMPING AND SHALL BE RETURNED TO FIGLEY STAMPING.

E			TOLERANCES (EXCEPT AS NOTED) DECIMAL :	 FIGLEY STAMPING COMPANY
D				
C				
B	6/8/93	SJ	.XX ±	PART NAME: 1C1020-S CAPACITOR BRKT.
A	1/17/92	NEP	.XXX ± .031	
NO.	DATE	BY	ANGULAR :	MATL: 16 GA. C.R. STEEL
REVISIONS			±	DATE: 7/20/87 DR. BY: P.H. PART NO.: 1020S2P2

FIGLEY STAMPING COMPANY
PHONE: 419-782-6896 FAX: 419-784-5121


1C1020-S SERIES

PART NO.	DIM. "G" MAX.	DIM. "H"	DIM. "L"	DIM. "T"	DIM. "M"	CASE HEIGHT
100	1.875	1.250	3.750	4.750	1.344	4.000
101	1.875	1.250	3.875	4.875	1.344	4.125
102	1.875	1.250	4.000	5.000	1.344	4.250
103	1.875	1.250	4.250	5.250	1.344	4.500
104	1.875	1.250	4.344	5.344	1.344	4.594
105	1.875	1.250	4.375	5.375	1.344	4.625
106	1.875	1.250	4.500	5.500	1.344	4.750
107	1.875	1.250	4.625	5.625	1.344	4.875
108	1.875	1.250	4.750	5.750	1.344	5.000
109	1.875	1.250	4.875	5.875	1.344	5.125
110	1.875	1.250	5.000	6.000	1.344	5.250
111	1.875	1.250	5.125	6.125	1.344	5.375
112	1.875	1.250	5.250	6.250	1.344	5.500
113	1.875	1.250	6.000	7.000	1.344	6.250
114	1.875	1.250	3.750	4.750	1.344	3.000
115	1.875	1.250	3.375	4.375	1.344	3.625
116	1.875	1.250	6.875	7.875	1.344	7.125
117	1.875	1.250	2.875	3.875	1.344	3.125
118						
119						
120						
121						
122						
123						
124						
125						
126						
127						
128						
129						
130	2.813	1.938	3.250	4.250	2.281	3.500
131	2.813	1.938	3.625	4.625	2.281	3.875
132	2.813	1.938	3.875	4.875	2.281	4.125
133	2.813	1.938	4.125	5.125	2.281	4.375
134	2.813	1.938	4.250	5.250	2.281	4.500
135	2.813	1.938	4.375	5.375	2.281	4.625
136	2.813	1.938	4.500	5.500	2.281	4.750
137	2.813	1.938	4.875	5.875	2.281	5.125
138	2.813	1.938	5.250	6.250	2.281	5.500
139	2.813	1.938	5.750	6.750	2.281	6.000
140	2.813	1.938	3.750	4.750	2.281	4.000
141						

THIS DRAWING AND INFORMATION IS THE PROPERTY OF FIGLEY STAMPING. IT IS LENT ON THE CONDITION THAT IT, IN WHOLE OR IN PART, SHALL NOT BE REPRODUCED, COPIED, LENT OR DISCLOSED TO ANY THIRD PARTY WITHOUT THE WRITTEN CONSENT OF FIGLEY STAMPING AND SHALL BE RETURNED TO FIGLEY STAMPING.

FIGLEY STAMPING PART NUMBER WILL BE IMPRINTED ON THE BRKT. UNLESS OTHERWISE SPECIFIED

FINISH AVAILABLE: ZINC [Ⓟ]

E			TOLERANCES (EXCEPT AS NOTED)		FIGLEY STAMPING COMPANY	
D						
C			DECIMAL :	PART NAME: 1C1020-S CAPACITOR BRKT.		
B	6/8/93	S.J.	.XX ±			
A	1/17/92	NEP	.XXX ± .031	MATL: 16 GA. C.R. STEEL		
NO.	DATE	BY	ANGULAR :			DATE: 5/10/88
REVISIONS			±			

FIGLEY STAMPING COMPANY
PHONE: 419-782-6896 FAX: 419-784-5121


1C1020-S SERIES

THIS DRAWING AND INFORMATION IS THE PROPERTY OF FIGLEY STAMPING. IT IS LENT ON THE CONDITION THAT IT, IN WHOLE OR IN PART, SHALL NOT BE REPRODUCED, COPIED, LENT OR DISCLOSED TO ANY THIRD PARTY WITHOUT THE WRITTEN CONSENT OF FIGLEY STAMPING AND SHALL BE RETURNED TO FIGLEY STAMPING.

PART NO.	DIM. "G" MAX.	DIM. "H"	DIM. "L"	DIM. "T"	DIM. "M"	CASE HEIGHT
150						
151						
152						
153						
154						
155	4.000	3.375	3.219	4.219	3.656	3.469
156	4.000	3.375	3.625	4.625	3.656	3.875
157	4.000	3.375	3.750	4.750	3.656	4.000
158	4.000	3.375	4.000	5.000	3.656	4.250
159	4.000	3.375	4.125	5.125	3.656	4.375
160	4.000	3.375	4.250	5.250	3.656	4.500
161	4.000	3.375	4.375	5.375	3.656	4.625
162	4.000	3.375	4.500	5.500	3.656	4.750
163	4.000	3.375	4.750	5.750	3.656	5.000
164	4.000	3.375	4.875	5.875	3.656	5.125
165	4.000	3.375	5.125	6.125	3.656	5.375
166	4.000	3.375	5.250	6.250	3.656	5.500
167	4.000	3.375	5.500	6.500	3.656	5.750
168	4.000	3.375	5.750	6.750	3.656	6.000
169	4.000	3.375	6.125	7.125	3.656	6.375
170	4.000	3.375	6.250	7.250	3.656	6.500
171	4.000	3.375	6.500	7.500	3.656	6.750
172	4.000	3.375	6.750	7.750	3.656	7.000
173	4.000	3.375	7.250	8.250	3.656	7.500
174	4.000	3.375	7.750	8.750	3.656	8.000
175	4.000	3.375	8.250	9.250	3.656	8.500
176	4.000	3.375	8.844	9.844	3.656	9.125
177	4.000	3.375	8.875	9.875	3.656	9.125
178	4.000	3.375	9.000	10.000	3.656	9.250
179	4.000	3.375	9.250	10.250	3.656	9.500
180	4.000	3.375	9.375	10.375	3.656	9.625
181	4.000	3.375	10.250	11.250	3.656	10.250
182						
183						
184						
185						

FIGLEY STAMPING PART NUMBER WILL BE IMPRINTED ON THE BRKT. UNLESS OTHERWISE SPECIFIED

FINISH AVAILABLE: ZINC ^(B)

E			TOLERANCES (EXCEPT AS NOTED)	
D				
C				
B	6/8/93	S.J.	DECIMAL :	PART NAME: 1C1020-S CAPACITOR BRKT.
A	1/15/92	NEP	.XX ± .XXX ± .031	
NO.	DATE	BY	ANGULAR :	MATL: 16 GA. C.R. STEEL
REVISIONS			±	DATE: 8/1/87 DR. BY: S.J.J. PART NO.: 1020S2P4