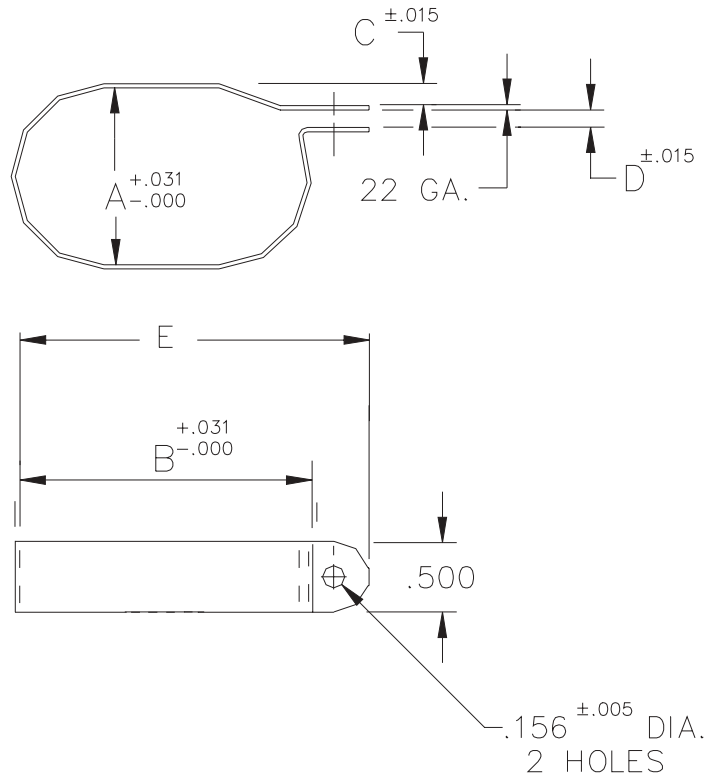


FIGLEY STAMPING COMPANY
PHONE: 419-782-6896 FAX: 419-784-5121

1C1744 SERIES - C.R. STEEL W/ ZINC FINISH
Hardware available upon request


THIS DRAWING AND INFORMATION IS THE PROPERTY OF FIGLEY STAMPING. IT IS LENT ON THE CONDITION THAT IT, IN WHOLE OR IN PART, SHALL NOT BE REPRODUCED, COPIED, LENT OR DISCLOSED TO ANY THIRD PARTY WITHOUT THE WRITTEN CONSENT OF FIGLEY STAMPING AND SHALL BE RETURNED TO FIGLEY STAMPING.



ALL DIMENSIONS TO BE MEASURED WHEN
 BRACKET IS RIGIDLY HELD TO AVOID SPRINGBACK.

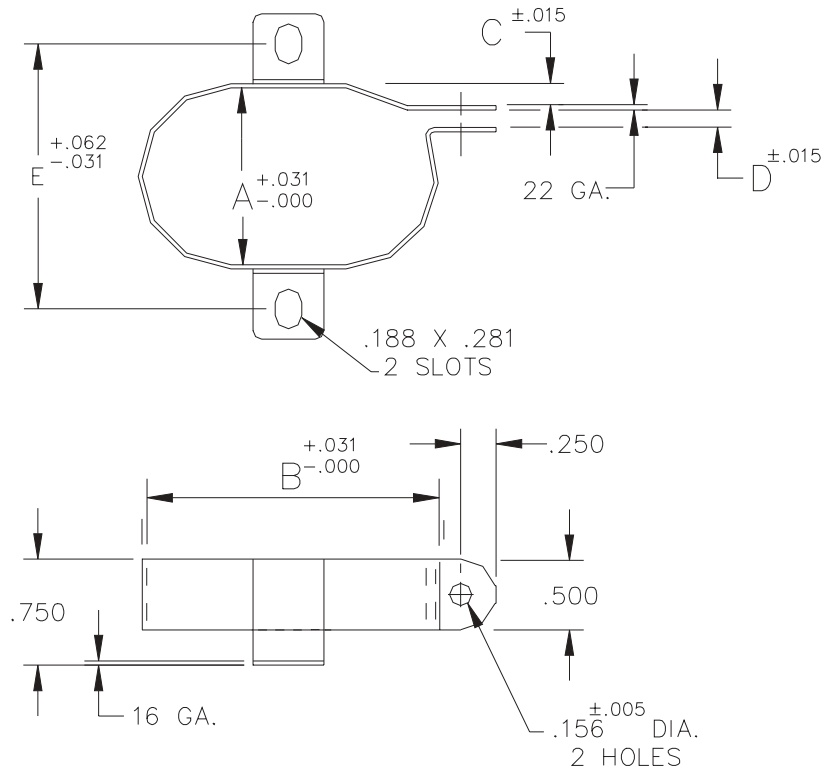
PART NO.	DIM. "A"	DIM. "B"	DIM. "C"	DIM. "D"	DIM. "E"
01	1.250	2.063	.125	.125	2.422
02	1.813	2.813	.313	.125	3.172
03	1.875	3.563	.500	.125	3.922
04	2.125	2.844	.500	.125	3.203
05	1.500	2.641	.088	.125	3.047
06					

FINISH AVAILABLE: ZINC ^(B)
 HARDWARE AVAILABLE UPON REQUEST

E			TOLERANCES (EXCEPT AS NOTED) DECIMAL : .XX ± .XXX ± .031	 FIGLEY STAMPING COMPANY
D				
C				
B	6/9/93	S.J.	PART NAME: 1C1743 CAPACITOR BRKT.	
A	1/16/92	NEP		
NO.	DATE	BY	ANGULAR : ±	MATL: 22 GA. C.R. STEEL DATE: 3/10/88 DR. BY: S.J.J. PART NO.: 1743P1
REVISIONS				

FIGLEY STAMPING COMPANY
PHONE: 419-782-6896 FAX: 419-784-5121

1C1744 SERIES - C.R. STEEL W/ ZINC FINISH
Hardware available upon request




ALL DIMENSIONS TO BE MEASURED WHEN BRACKET IS RIGIDLY HELD TO AVOID SPRINGBACK.

PART NO.	DIM. "A"	DIM. "B"	DIM. "C"	DIM. "D"	DIM. "E"
01	1.250	2.063	.125	.125	1.875
02	1.813	2.813	.313	.125	2.437
03	1.875	3.563	.500	.125	2.500
04	2.125	2.844	.500	.125	2.750
05	1.500	2.641	.188	.125	2.125
06					

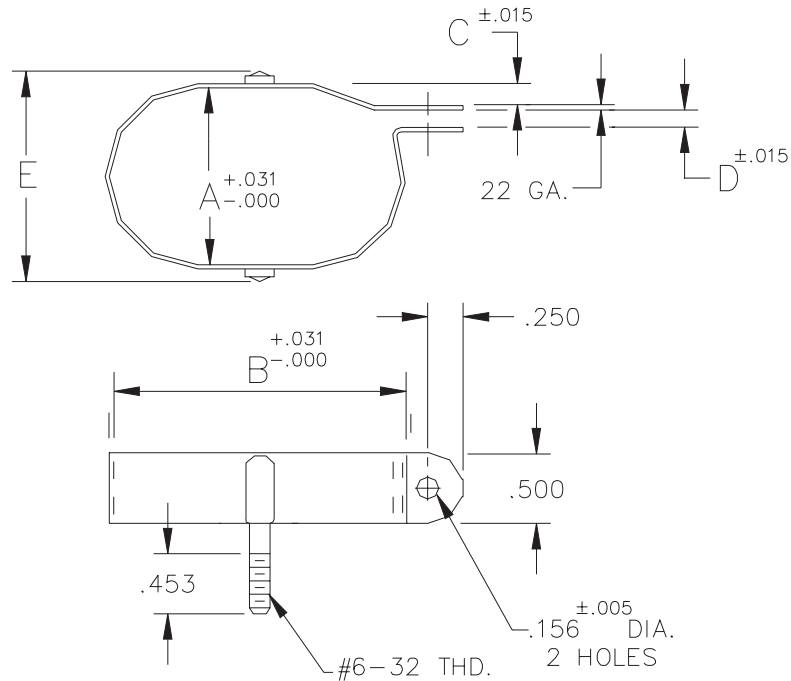
FINISH AVAILABLE: ZINC
HARDWARE AVAILABLE UPON REQUEST

THIS DRAWING AND INFORMATION IS THE PROPERTY OF FIGLEY STAMPING. IT IS LENT ON THE CONDITION THAT IT, IN WHOLE OR IN PART, SHALL NOT BE REPRODUCED, COPIED, LENT OR DISCLOSED TO ANY THIRD PARTY WITHOUT THE WRITTEN CONSENT OF FIGLEY STAMPING AND SHALL BE RETURNED TO FIGLEY STAMPING.

E			TOLERANCES (EXCEPT AS NOTED) DECIMAL : .XX ± .XXX ± .031	 FIGLEY STAMPING COMPANY
D				
C				
B				
A				
NO.	DATE	BY	ANGULAR :	PART NAME:
			±	1C1744 CAPACITOR BRKT.
REVISIONS				MATL:
				22 GA. C.R. STEEL
				DATE: 7/21/98
				DR. BY: L.J.B.
				PART NO.: 1744P1

FIGLEY STAMPING COMPANY
PHONE: 419-782-6896 FAX: 419-784-5121

1C1745 SERIES - C.R. STEEL W/ ZINC FINISH
Hardware available upon request



ALL DIMENSIONS TO BE MEASURED WHEN BRACKET IS RIGIDLY HELD TO AVOID SPRINGBACK.


PART NO.	DIM. "A"	DIM. "B"	DIM. "C"	DIM. "D"	DIM. "E"
01	1.250	2.063	.125	.125	1.563
02	1.813	2.813	.313	.125	2.125
03	1.875	3.563	.500	.125	2.188
04	2.125	2.844	.500	.125	2.438
05	1.500	2.641	.188	.125	1.813
* 06	1.250	2.063	.125	.125	1.563
07					

* -6: SUPPLIED WITH 8-32 X .375 THD. SPADE BOLT

THIS DRAWING AND INFORMATION IS THE PROPERTY OF FIGLEY STAMPING. IT IS LENT ON THE CONDITION THAT IT, IN WHOLE OR IN PART, SHALL NOT BE REPRODUCED, COPIED, LENT OR DISCLOSED TO ANY THIRD PARTY WITHOUT THE WRITTEN CONSENT OF FIGLEY STAMPING AND SHALL BE RETURNED TO FIGLEY STAMPING.

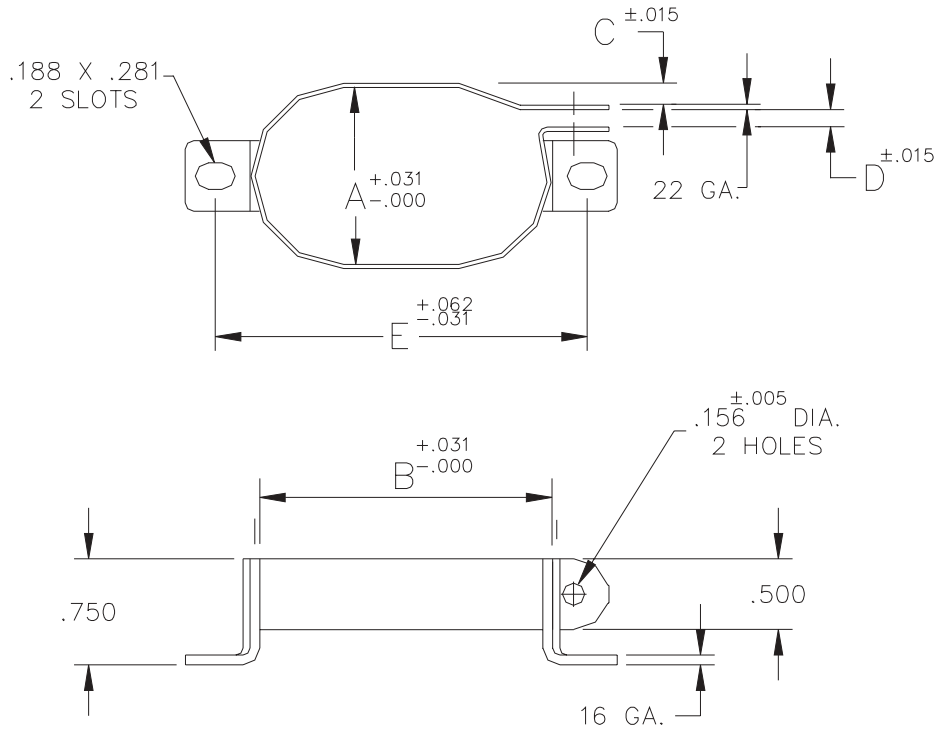
FINISH AVAILABLE: ZINC

HARDWARE AVAILABLE UPON REQUEST

E			TOLERANCES (EXCEPT AS NOTED) DECIMAL : .XX ± .XXX ± .031	
D				
C				
B				
A				
NO.	DATE	BY	ANGULAR :	PART NAME:
			±	1C1745 CAPACITOR BRKT.
REVISIONS				MATL:
				22 GA. C.R. STEEL
				DATE: 7/21/98
				DR. BY: L.J.B.
				PART NO.: 1745P1

FIGLEY STAMPING COMPANY
PHONE: 419-782-6896 FAX: 419-784-5121

1C1747 SERIES - C.R. STEEL W/ ZINC FINISH
Hardware available upon request




ALL DIMENSIONS TO BE MEASURED WHEN BRACKET IS RIGIDLY HELD TO AVOID SPRINGBACK.

PART NO.	DIM. "A"	DIM. "B"	DIM. "C"	DIM. "D"	DIM. "E"
01	1.250	2.063	.125	.125	2.688
02	1.813	2.813	.313	.125	3.438
03	1.875	3.563	.500	.125	4.188
04	2.125	2.844	.500	.125	3.469
05	1.500	2.641	.188	.125	3.188
06					

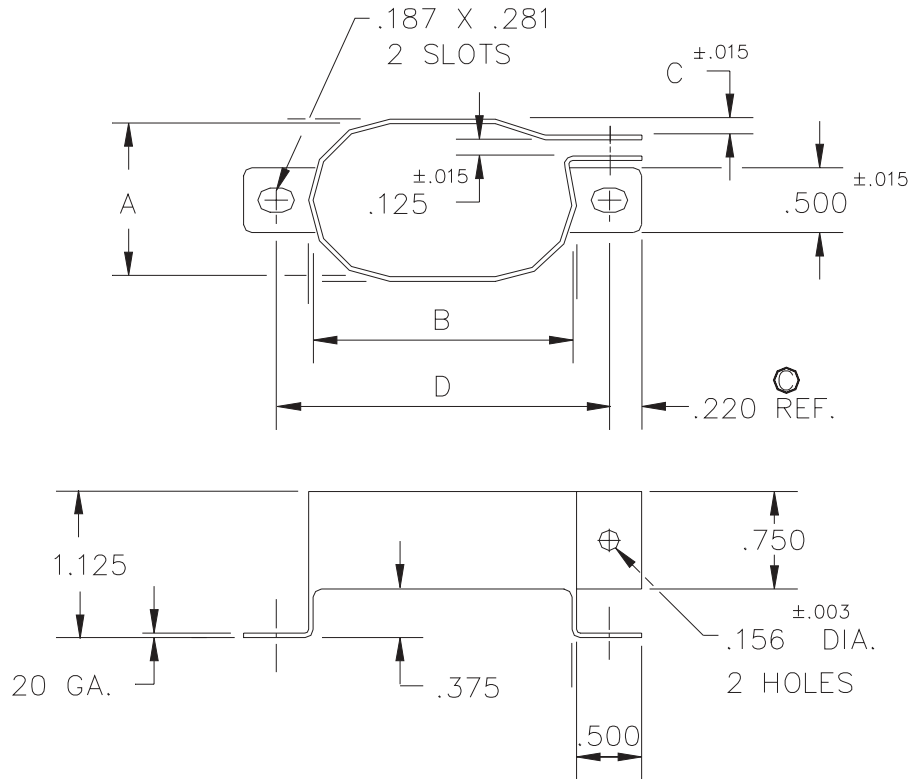
FINISH AVAILABLE: ZINC
HARDWARE AVAILABLE UPON REQUEST

THIS DRAWING AND INFORMATION IS THE PROPERTY OF FIGLEY STAMPING. IT IS LENT ON THE CONDITION THAT IT, IN WHOLE OR IN PART, SHALL NOT BE REPRODUCED, COPIED, LENT OR DISCLOSED TO ANY THIRD PARTY WITHOUT THE WRITTEN CONSENT OF FIGLEY STAMPING AND SHALL BE RETURNED TO FIGLEY STAMPING.

E			TOLERANCES (EXCEPT AS NOTED) DECIMAL : .XX ± .XXX ± .031	 FIGLEY STAMPING COMPANY
D				
C				
B				
A				
NO.	DATE	BY	ANGULAR :	PART NAME:
			±	1C1747 CAPACITOR BRKT.
REVISIONS				MATL:
				22 GA. C.R. STEEL
				DATE: 7/21/98
				DR. BY: L.J.B.
				PART NO.: 1747P1

FIGLEY STAMPING COMPANY
PHONE: 419-782-6896 FAX: 419-784-5121

1C1748 SERIES - C.R. STEEL W/ ZINC FINISH
Hardware available upon request



ALL DIMENSIONS TO BE MEASURED WHEN BRACKET IS RIGIDLY HELD TO AVOID SPRINGBACK.

PART NO.	DIM. "A"	DIM. "B"	DIM. "C"	DIM. "D"
01	1.234	2.062	.125	2.694
02	1.797	2.797	.312	3.429
03	1.859	3.547	.500	4.179
04				
05	1.484	2.609	.188	3.241
06	1.254	2.062	.125	2.694
07	1.750	2.766	.312	3.398
08				

FINISH AVAILABLE: ZINC
 NO IMPRINT REQUIRED

THIS DRAWING AND INFORMATION IS THE PROPERTY OF FIGLEY STAMPING. IT IS LENT ON THE CONDITION THAT IT, IN WHOLE OR IN PART, SHALL NOT BE REPRODUCED, COPIED, LENT OR DISCLOSED TO ANY THIRD PARTY WITHOUT THE WRITTEN CONSENT OF FIGLEY STAMPING AND SHALL BE RETURNED TO FIGLEY STAMPING.

E			TOLERANCES (EXCEPT AS NOTED)	
D				
C	ECN 0129 7/26/95	S.J.J.	DECIMAL :	PART NAME: 1C1748 CAPACITOR CLAMP
B	6/9/93	S.J.	.XX ±	
A	12/18/91	NEP	.XXX ± .031	
NO.	DATE	BY	ANGULAR :	MATL: 20 GA. C.R. STEEL
REVISIONS			±	DATE: 3/10/88 DR. BY: S.J.J. PART NO.: 1748P1