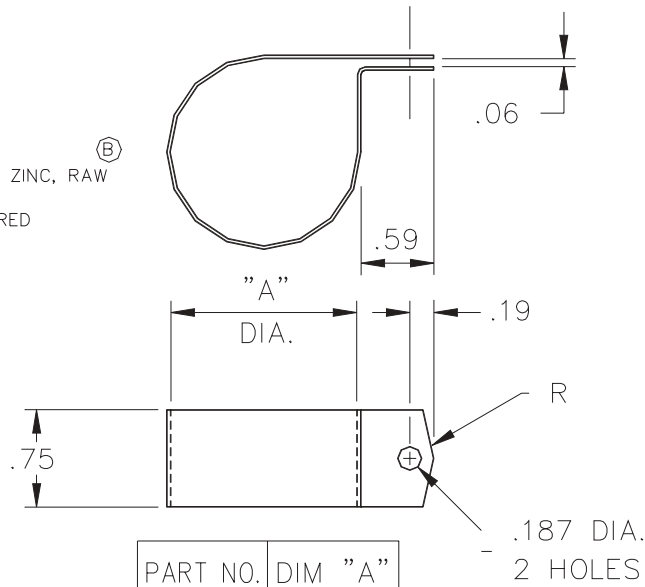


FIGLEY STAMPING COMPANY
PHONE: 419-782-6896 FAX: 419-784-5121

1C1815 SERIES - C.R. STEEL W/ ZINC FINISH

THIS DRAWING AND INFORMATION IS THE PROPERTY OF FIGLEY STAMPING. IT IS LENT ON THE CONDITION THAT IT, IN WHOLE OR IN PART, SHALL NOT BE REPRODUCED, COPIED, LENT OR DISCLOSED TO ANY THIRD PARTY WITHOUT THE WRITTEN CONSENT OF FIGLEY STAMPING AND SHALL BE RETURNED TO FIGLEY STAMPING.

FINISH AVAILABLE: ZINC, RAW
 NO IMPRINT REQUIRED



PART NO.	DIM "A"
01	1.19
02	1.77
03	2.09
04	2.50
05	1.44
06	2.00
07	1.81
08	2.06
09	2.88
10	1.57
11	1.75
12	1.50
13	1.10
14	1.42
15	1.37
16	1.46

ALL DIMENSIONS TO BE MEASURED WHEN BRACKET IS RIGIDLY HELD TO AVOID SPRINGBACK.

E	ECN 0360 2/2/99	L.J.B.	TOLERANCES (EXCEPT AS NOTED)	
D	ECN 0337 8/10/98	L.J.B.		
C	ECN 0215 11/01/96	S.J.J.	DECIMAL :	PART NAME: 1C1815 CAPACITOR BRKT.
B	6/9/93	S.J.	.XX ±	
A	1/15/92	NEP	.XXX ± .031	MATL: 20 GA. X .750 C.R. STEEL
NO.	DATE	BY	ANGULAR :	
REVISIONS			±	

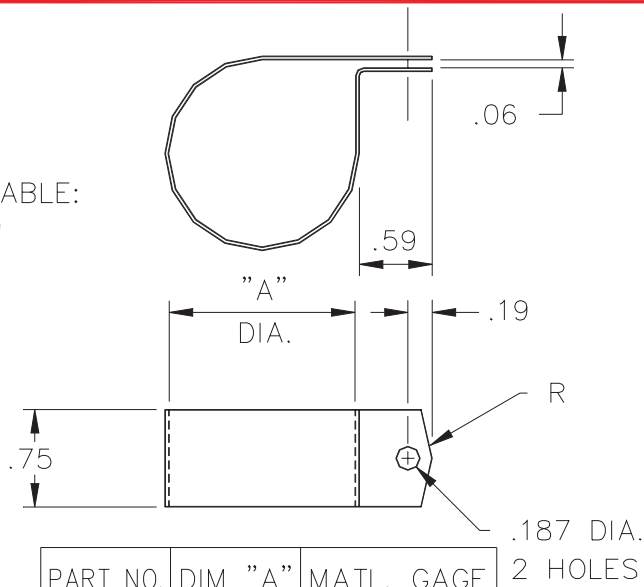
FIGLEY STAMPING COMPANY
PHONE: 419-782-6896 FAX: 419-784-5121

1C1815 SERIES - GALVANIZED MAT'L

THIS DRAWING AND INFORMATION IS THE PROPERTY OF FIGLEY STAMPING. IT IS LENT ON THE CONDITION THAT IT, IN WHOLE OR IN PART, SHALL NOT BE REPRODUCED, COPIED, LENT OR DISCLOSED TO ANY THIRD PARTY WITHOUT THE WRITTEN CONSENT OF FIGLEY STAMPING AND SHALL BE RETURNED TO FIGLEY STAMPING.

FINISH AVAILABLE:
GALVANIZED

NO IMPRINT
REQUIRED



PART NO.	DIM "A"	MATL. GAGE
01	1.19	22 GA.
02	1.77	22 GA.
03	2.09	22 GA.
04	2.50	22 GA.
05	1.44	22 GA.
06	2.00	22 GA.
07	1.81	22 GA.
08	2.06	22 GA.
09	2.88	22 GA.
10	1.57	22 GA.
11	1.75	22 GA.
Ⓔ	1.50	22 GA.
Ⓑ	1.10	20 GA.
Ⓒ	1.42	22 GA.
Ⓓ	1.37	20 GA.
Ⓕ	1.46	20 GA.

.187 DIA.
2 HOLES

ALL DIMENSIONS TO BE MEASURED WHEN
BRACKET IS RIGIDLY HELD TO AVOID SPRINGBACK.

F	ECN 0361 2/2/99	L.J.B.
E	ECN 0337 8/10/98	L.J.B.
D	ECN 0214 11/01/96	S.J.J.
C	ECN 0162 02/12/96	S.J.J.
B	ECN 0151 11/10/95	S.J.J.
A	1/16/92	NEP
NO.	DATE	BY
REVISIONS		

TOLERANCES (EXCEPT AS NOTED)
DECIMAL :
.XX ±
.XXX ± .031
ANGULAR :
±



**FIGLEY STAMPING
COMPANY**

PART NAME:	1C1815G CAPACITOR BRKT.
MATL:	SEE ABOVE X .750 CL. GALV. STEEL
DATE: 2/12/88	DR. BY: S.J.J. PART NO.: 1815GP1