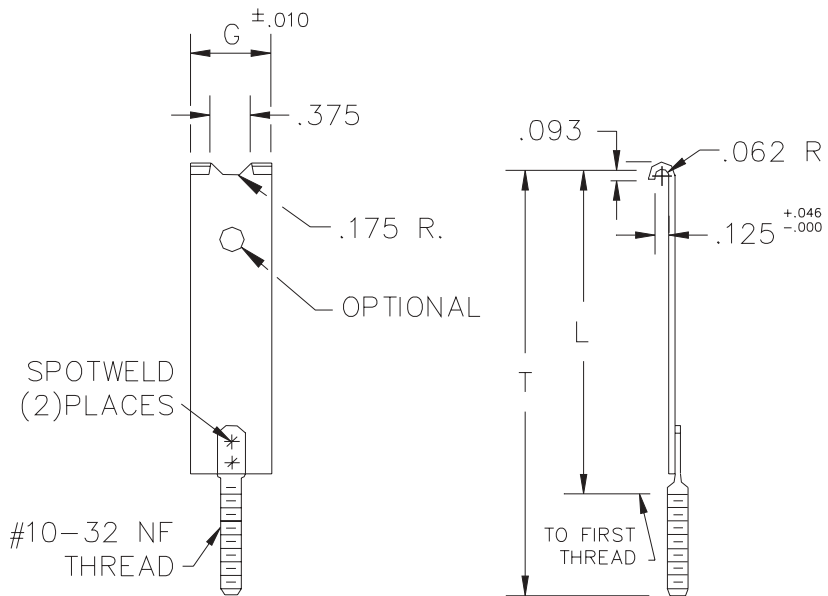


FIGLEY STAMPING COMPANY
PHONE: 419-782-6896 FAX: 419-784-5121

1C1010-S SERIES

THIS DRAWING AND INFORMATION IS THE PROPERTY OF FIGLEY STAMPING. IT IS LENT ON THE CONDITION THAT IT, IN WHOLE OR IN PART, SHALL NOT BE REPRODUCED, COPIED, LENT OR DISCLOSED TO ANY THIRD PARTY WITHOUT THE WRITTEN CONSENT OF FIGLEY STAMPING AND SHALL BE RETURNED TO FIGLEY STAMPING.



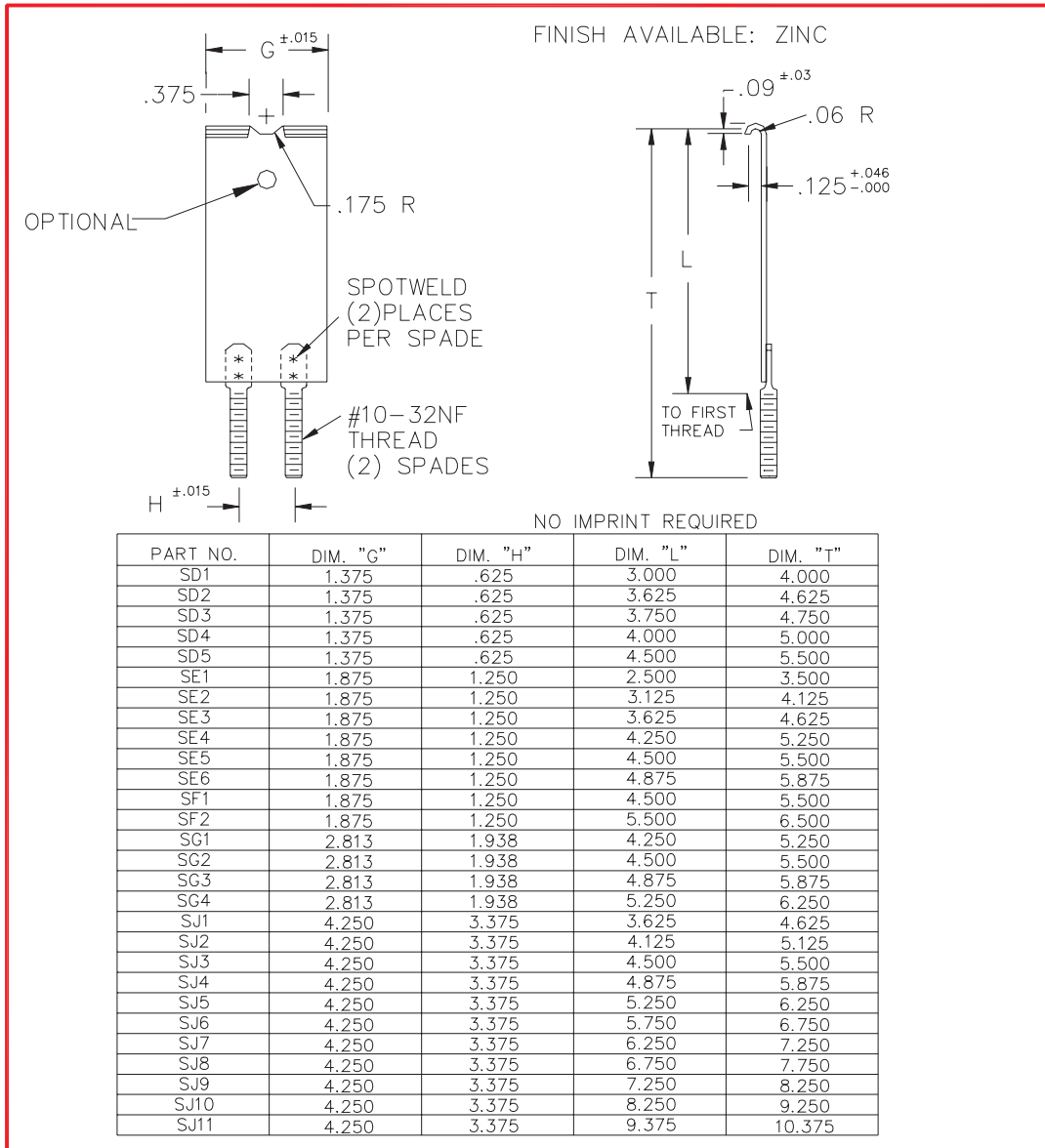
PART NO.	DIM. "G"	DIM. "L"	DIM. "T"	CASE HEIGHT	
				MIN.	MAX.
01	.750	1.375	2.375	1.625	1.688
02	.750	1.750	2.750	2.000	2.063
03	.750	1.875	2.875	2.125	2.188
04	.750	2.000	3.000	2.250	2.313
05	.750	2.250	3.250	2.500	2.563
06	.750	2.500	3.500	2.750	2.813
07	.750	2.625	3.625	2.875	2.938
08	.750	2.875	3.875	3.125	3.188
09	.750	3.000	4.000	3.250	3.313
10	.750	3.250	4.250	3.500	3.563
11	.750	3.625	4.625	3.875	3.938
12	.750	4.000	5.000	4.250	4.313
13	.750	4.250	5.250	4.500	4.563
14	.750	4.500	5.500	4.750	4.813
15	.750	5.250	6.250	5.500	5.563
16	.750	5.500	6.500	5.750	5.813
17					

FIGLEY STAMPING PART NUMBER WILL BE IMPRINTED ON THE BRKT. UNLESS OTHERWISE SPECIFIED
 FINISH AVAILABLE: ZINC

E			TOLERANCES (EXCEPT AS NOTED)	
D				
C			DECIMAL :	FIGLEY STAMPING COMPANY
B	ECN 0262 6/25/97	A.B.	.XX ±	
A	12/91	NEP	.XXX ± .031	
NO.	DATE	BY	ANGULAR :	PART NAME: 1C1010-S CAPACITOR BRKT.
REVISIONS			±	MATL: 16 GA. X .750 C.R.S.
				DATE: 8/1/87 DR. BY: S.J.J. PART NO.: 1010S1P1


FIGLEY STAMPING COMPANY
PHONE: 419-782-6896 FAX: 419-784-5121

1C1010-S SERIES



THIS DRAWING AND INFORMATION IS THE PROPERTY OF FIGLEY STAMPING. IT IS LENT ON THE CONDITION THAT IT, IN WHOLE OR IN PART, SHALL NOT BE REPRODUCED, COPIED, LENT OR DISCLOSED TO ANY THIRD PARTY WITHOUT THE WRITTEN CONSENT OF FIGLEY STAMPING AND SHALL BE RETURNED TO FIGLEY STAMPING.

PART NO.	DIM. "G"	DIM. "H"	DIM. "L"	DIM. "T"
SD1	1.375	.625	3.000	4.000
SD2	1.375	.625	3.625	4.625
SD3	1.375	.625	3.750	4.750
SD4	1.375	.625	4.000	5.000
SD5	1.375	.625	4.500	5.500
SE1	1.875	1.250	2.500	3.500
SE2	1.875	1.250	3.125	4.125
SE3	1.875	1.250	3.625	4.625
SE4	1.875	1.250	4.250	5.250
SE5	1.875	1.250	4.500	5.500
SE6	1.875	1.250	4.875	5.875
SF1	1.875	1.250	4.500	5.500
SF2	1.875	1.250	5.500	6.500
SG1	2.813	1.938	4.250	5.250
SG2	2.813	1.938	4.500	5.500
SG3	2.813	1.938	4.875	5.875
SG4	2.813	1.938	5.250	6.250
SJ1	4.250	3.375	3.625	4.625
SJ2	4.250	3.375	4.125	5.125
SJ3	4.250	3.375	4.500	5.500
SJ4	4.250	3.375	4.875	5.875
SJ5	4.250	3.375	5.250	6.250
SJ6	4.250	3.375	5.750	6.750
SJ7	4.250	3.375	6.250	7.250
SJ8	4.250	3.375	6.750	7.750
SJ9	4.250	3.375	7.250	8.250
SJ10	4.250	3.375	8.250	9.250
SJ11	4.250	3.375	9.375	10.375

E			TOLERANCES (EXCEPT AS NOTED) DECIMAL : .XX ± .XXX ± .031	 FIGLEY STAMPING COMPANY
D				
C				
B				
A	1/21/92	NEP		
NO.	DATE	BY	ANGULAR :	PART NAME:
			±	1C1010 CAPACITOR BRKT.
REVISIONS				MATL: 16 GA. C.R. STEEL
				DATE: 8/1/88
				DR. BY: S.J.J.
				PART NO.: 1010S2P1