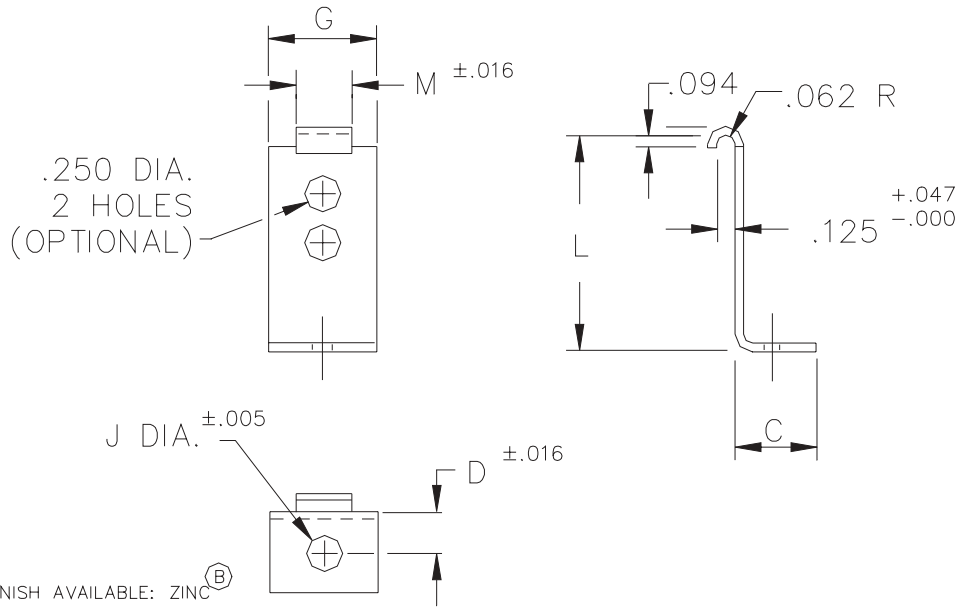


FIGLEY STAMPING COMPANY
PHONE: 419-782-6896 FAX: 419-784-5121


1C1020-F SERIES



FIGLEY STAMPING PART NUMBER WILL BE IMPRINTED ON THE BRKT. UNLESS OTHERWISE SPECIFIED

PART NO.	DIM. "G" MAX.	DIM. "J"	DIM. "L"	DIM. "M"	DIM. "D"	DIM. "C"	CASE HEIGHT
01	.625	.187	1.453	.391	.219	.438	1.562
02	.625	.187	1.500	.391	.219	.438	1.625
03	.625	.187	1.641	.391	.219	.438	2.750
04	.625	.187	1.875	.391	.219	.438	2.000
05	.625	.187	1.875	.391	.250	.469	2.000
06	.625	.187	1.891	.391	.219	.438	2.000
07	.625	.187	1.891	.391	.250	.469	2.000
08	.625	.187	2.000	.391	.219	.438	2.125
09	.625	.187	2.000	.391	.250	.469	2.125
10	.625	.187	2.016	.391	.219	.438	2.125
11	.625	.187	2.125	.391	.219	.438	2.250
12	.625	.187	2.141	.391	.250	.469	2.250
13	.625	.187	2.266	.391	.219	.438	2.375
14	.625	.187	2.359	.391	.219	.438	2.469
15	.625	.187	2.375	.391	.219	.438	2.500
16	.625	.187	2.375	.391	.250	.469	2.500
17	.625	.187	2.391	.391	.219	.438	2.500
18	.625	.187	2.500	.391	.219	.438	2.625
19	.625	.187	2.516	.391	.219	.438	2.625
20	.625	.187	2.625	.391	.219	.438	2.750

THIS DRAWING AND INFORMATION IS THE PROPERTY OF FIGLEY STAMPING. IT IS LENT ON THE CONDITION THAT IT, IN WHOLE OR IN PART, SHALL NOT BE REPRODUCED, COPIED, LENT OR DISCLOSED TO ANY THIRD PARTY WITHOUT THE WRITTEN CONSENT OF FIGLEY STAMPING AND SHALL BE RETURNED TO FIGLEY STAMPING.

E			TOLERANCES (EXCEPT AS NOTED)	
D			DECIMAL :	
C			.XX ± .XXX ± .031	
B	6/8/93	SJ	ANGULAR :	PART NAME: 1C1020-F- CAPACITOR BRKT.
A	01/17/92	NEP	±	MATL: 16 GA. C.R.STEEL
NO.	DATE	BY		DATE: 7/30/87 DR. BY: S.J.J. PART NO.: 1020F1P1
REVISIONS				

FIGLEY STAMPING COMPANY
PHONE: 419-782-6896 FAX: 419-784-5121


1C1020-F SERIES

FIGLEY STAMPING PART NUMBER WILL BE IMPRINTED ON THE BRKT. UNLESS OTHERWISE SPECIFIED

PART NO.	DIM. "G" MAX.	DIM. "J"	DIM. "L"	DIM. "M"	DIM. "D"	DIM. "C"	CASE HEIGHT
21	.625	.187	2.625	.391	.250	.469	2.750
22	.625	.187	2.641	.391	.219	.438	2.750
23	.625	.187	2.641	.391	.250	.469	2.750
24	.625	.187	2.672	.391	.219	.438	2.391
25	.625	.187	2.750	.391	.219	.438	2.875
26	.625	.187	2.750	.391	.250	.469	2.875
27	.625	.187	2.875	.391	.219	.438	3.000
28	.625	.187	2.922	.391	.219	.438	3.031
29	.625	.187	3.016	.391	.219	.438	3.125
30	.625	.187	3.125	.391	.219	.438	3.250
31	.625	.187	3.125	.391	.250	.469	3.188
32	.625	.187	3.281	.391	.219	.438	3.375
33	.625	.187	3.250	.391	.250	.469	3.375
34	.625	.187	3.375	.391	.250	.469	3.500
35	.625	.187	3.500	.391	.219	.438	3.625
36	.625	.187	3.500	.391	.250	.469	3.625
37	.625	.187	3.625	.391	.219	.438	3.750
38	.625	.187	3.625	.391	.250	.469	3.750
39	.625	.187	3.656	.391	.219	.438	3.750
40	.625	.187	3.688	.391	.250	.469	3.813
41	.625	.187	3.750	.391	.219	.438	3.875
42	.625	.187	3.750	.391	.250	.469	3.875
43	.625	.187	3.875	.391	.219	.438	4.000
44	.625	.187	3.875	.391	.250	.469	4.000
45	.625	.187	4.000	.391	.219	.438	4.125
46	.625	.187	4.000	.391	.250	.469	4.125
47	.625	.187	4.031	.391	.219	.438	4.156
48	.625	.187	4.125	.391	.250	.469	4.250
49	.625	.187	4.218	.391	.219	.438	4.250
50	.625	.187	4.266	.391	.219	.438	4.375
51	.625	.187	4.375	.391	.219	.438	4.500
52	.625	.187	4.391	.391	.219	.438	4.500
53	.625	.187	4.484	.391	.250	.469	4.594
54	.625	.187	4.500	.391	.219	.438	4.625
55	.625	.187	4.500	.391	.250	.469	4.625
56	.625	.187	4.547	.391	.219	.438	4.969
57	.625	.187	4.625	.391	.219	.438	5.125
58	.625	.187	4.625	.391	.250	.469	4.750
59	.625	.187	5.000	.391	.219	.438	4.750
60	.625	.187	5.078	.391	.219	.438	5.188
61	.625	.187	5.125	.391	.219	.438	5.250
62	.625	.187	5.375	.391	.250	.469	5.500
63	.625	.187	5.625	.391	.219	.438	5.750
64	.625	.187	5.641	.391	.219	.438	5.750
65	.625	.187	5.750	.391	.219	.438	5.875
66	.625	.187	5.891	.391	.219	.438	6.000
67	.625	.187	6.125	.391	.219	.438	6.250
68	.625	.187	6.141	.391	.219	.438	6.250
69	.625	.187	6.375	.391	.250	.469	6.500
70	.625	.187	6.625	.391	.219	.438	6.750

FINISH AVAILABLE: ZINC ^(B)

THIS DRAWING AND INFORMATION IS THE PROPERTY OF FIGLEY STAMPING. IT IS LENT ON THE CONDITION THAT IT, IN WHOLE OR IN PART, SHALL NOT BE REPRODUCED, COPIED, LENT OR DISCLOSED TO ANY THIRD PARTY WITHOUT THE WRITTEN CONSENT OF FIGLEY STAMPING AND SHALL BE RETURNED TO FIGLEY STAMPING.

E			TOLERANCES (EXCEPT AS NOTED)	 FIGLEY STAMPING COMPANY
D			DECIMAL :	
C	ECN 0150 10/24/95	S.J.J.	.XX ±	PART NAME: 1C1020-F CAPACITOR BRKT.
B	6/8/93	S.J.	.XXX ± .031	
A	1/17/92	NEP		MATL: 16 GA. C.R. STEEL
NO.	DATE	BY	ANGULAR :	DATE: 7/30/87
REVISIONS			±	DR. BY: S.J.J. PART NO. : 1020F1P2

FIGLEY STAMPING COMPANY
PHONE: 419-782-6896 FAX: 419-784-5121


1C1020-F SERIES

FIGLEY STAMPING PART NUMBER WILL BE IMPRINTED ON THE BRKT. UNLESS OTHERWISE SPECIFIED

PART NO.	DIM. "G"	DIM. "J"	DIM. "L"	DIM. "M"	DIM. "D"	DIM. "C"	CASE HEIGHT
71	.625	.187	6.641	.391	.219	.438	6.750
72	.625	.187	6.891	.391	.219	.438	7.000
73	.625	.187	7.125	.391	.219	.438	7.250
74	.625	.187	7.141	.391	.219	.438	7.250
75	.625	.187	7.391	.391	.219	.438	7.500
76	.625	.187	7.875	.391	.219	.438	8.000
77	.625	.187	7.891	.391	.219	.438	8.000
78	.625	.187	8.875	.391	.219	.438	9.000
79	.625	.187	8.891	.391	.219	.438	9.000
80	.625	.187	9.375	.391	.219	.438	9.500
81	.625	.187	9.391	.391	.219	.438	9.500
82	.625	.187	5.719	.391	.219	.438	5.844
83	.625	.187	3.313	.391	.250	.469	3.438
84	.625	.187	3.344	.391	.219	.438	3.469
85	.625	.187	4.875	.391	.219	.438	5.000
86	.625	.187	3.188	.391	.219	.438	3.938
87	.625	.187	4.250	.391	.219	.438	4.375
88	.625	.187	7.000	.391	.219	.438	7.125
89	.625	.187	4.750	.391	.219	.438	4.875
90	.625	.187	7.250	.391	.219	.438	7.375
91	.625	.187	6.250	.391	.219	.438	6.375
92	.625	.187	8.500	.391	.219	.438	8.625
93	.625	.187	5.312	.391	.219	.438	6.062
94	.625	.187	6.750	.391	.219	.438	6.875
95	.625	.187	3.000	.391	.219	.438	3.125
96	.625	.187	5.250	.391	.219	.438	5.375
97	.625	.187	7.625	.391	.219	.438	7.750
98	.625	.187	8.125	.391	.219	.438	8.250
99	.625	.187	5.438	.391	.219	.438	5.562
100	.625	.187	1.562	.391	.219	.438	1.688
101	.625	.187	6.938	.391	.219	.438	7.062
102	.625	.187	3.688	.391	.219	.438	3.812
103	.625	.187	4.062	.391	.219	.438	4.187
104	.625	.187	8.625	.391	.219	.438	8.750
400	.625	.201	4.625	.375	.250	.469	4.750
401	.625	.201	6.125	.375	.250	.469	6.250
402	.625	.201	7.703	.391	.219	.438	8.844
403	.625	.187	5.375	.391	.219	.438	5.500
404	.625	.201	1.938	.391	.219	.438	2.062
405	.625	.187	2.703	.391	.156	.438	2.828
406	.625	.187	5.422	.391	.156	.438	5.562
407	.625	.187	3.313	.391	.219	.438	3.438
408	.625	.187	4.125	.391	.219	.438	4.250
409	.625	.201	4.547	.391	.313	.562	4.688
410	.625	.201	7.875	.391	.250	.438	8.000
411	.625	.187	1.625	.391	.219	.438	1.750
412	.625	.187	3.250	.391	.281	.531	3.375
413	.625	.187	6.375	.391	.219	.438	6.500
414	.625	.201	6.875	.391	.250	.438	7.000
415	.625	.187	1.812	.391	.219	.438	1.938

FINISH AVAILABLE: ZINC [Ⓟ]

THIS DRAWING AND INFORMATION IS THE PROPERTY OF FIGLEY STAMPING. IT IS LENT ON THE CONDITION THAT IT, IN WHOLE OR IN PART, SHALL NOT BE REPRODUCED, COPIED, LENT OR DISCLOSED TO ANY THIRD PARTY WITHOUT THE WRITTEN CONSENT OF FIGLEY STAMPING AND SHALL BE RETURNED TO FIGLEY STAMPING.

E			TOLERANCES (EXCEPT AS NOTED) DECIMAL :		FIGLEY STAMPING COMPANY
D					
C					
B	6/8/93	S.J.	.XX ±	PART NAME: 1C1020-F	
A	1/17/92	NEP	.XXX ± .031	CAPACITOR BRKT.	
NO.	DATE	BY	ANGULAR :	MATL: 16 GA. C.R. STEEL	
REVISIONS			±	DATE: 7/30/87	DR. BY: S.J.J. PART NO.: 1020F1P3


FIGLEY STAMPING COMPANY
PHONE: 419-782-6896 FAX: 419-784-5121

1C1020-F SERIES

PART NO.	DIM. "G" MAX.	DIM. "J"	DIM. "L"	DIM. "M"	DIM. "D"	DIM. "C"	CASE HEIGHT
416	.625	.187	7.625	.391	.219	.438	7.750
417	.625	.187	9.375	.391	.219	.438	9.500
418	.625	.187	2.250	.391	.219	.438	2.375
419	.625	.201	5.625	.391	.250	.438	5.750
420	.625	.201	8.875	.391	.250	.438	9.000
421	.625	.187	4.062	.391	.250	.469	4.188
422	.625	.201	2.500	.391	.250	.438	2.562
423	.625	.187	4.375	.391	.188	.312	4.500
424	.625	.187	3.375	.391	.219	.438	3.500
425	.625	.187	2.560	.391	.219	.438	2.690

THIS DRAWING AND INFORMATION IS THE PROPERTY OF FIGLEY STAMPING. IT IS LENT ON THE CONDITION THAT IT, IN WHOLE OR IN PART, SHALL NOT BE REPRODUCED, COPIED, LENT OR DISCLOSED TO ANY THIRD PARTY WITHOUT THE WRITTEN CONSENT OF FIGLEY STAMPING AND SHALL BE RETURNED TO FIGLEY STAMPING.

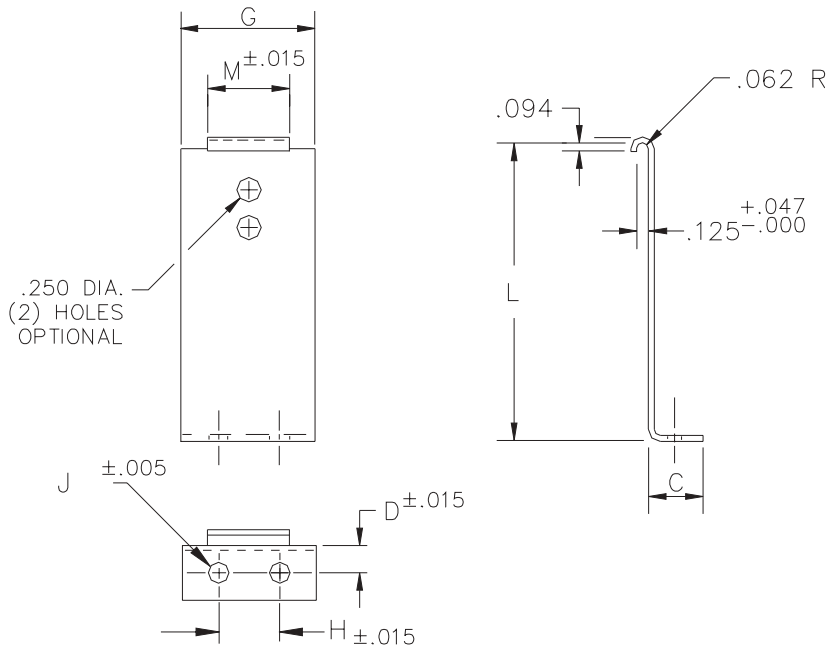
FIGLEY STAMPING PART NUMBER WILL BE IMPRINTED ON THE BRKT. UNLESS OTHERWISE SPECIFIED
 FINISH AVAILABLE: ZINC®

E			TOLERANCES (EXCEPT AS NOTED)	 FIGLEY STAMPING COMPANY
D				
C	ECN 0195 06/17/96	S.J.J.	DECIMAL :	PART NAME: 1C1020-F CAPACITOR BRKT.
B	6/8/93	S.J.	.XX ±	
A	1/16/92	NEP	.XXX ± .031	MATL: 16 GA. C.R. STEEL
NO.	DATE	BY	ANGULAR :	DATE: 7/30/87
REVISIONS			±	DR. BY: S.J.J.
				PART NO.: 1020F1P4

FIGLEY STAMPING COMPANY
PHONE: 419-782-6896 FAX: 419-784-5121

1C1020-F SERIES


THIS DRAWING AND INFORMATION IS THE PROPERTY OF FIGLEY STAMPING. IT IS LENT ON THE CONDITION THAT IT, IN WHOLE OR IN PART, SHALL NOT BE REPRODUCED, COPIED, LENT OR DISCLOSED TO ANY THIRD PARTY WITHOUT THE WRITTEN CONSENT OF FIGLEY STAMPING AND SHALL BE RETURNED TO FIGLEY STAMPING.



PART NO.	DIM. "G" MAX.	DIM. "H"	DIM. "J"	DIM. "L"	DIM. "M"	DIM. "D"	DIM. "C"	CASE HEIGHT
105	1.375	.625	.213	1.500	.844	.281	.562	1.625
106	1.375	.625	.213	1.625	.844	.281	.562	1.688
107	1.375	.625	.213	2.000	.844	.281	.562	2.125
108	1.375	.625	.213	2.141	.844	.281	.562	2.250
109	1.375	.625	.213	2.250	.844	.281	.562	2.375
110	1.375	.625	.213	2.500	.844	.281	.562	2.625
111	1.375	.625	.213	2.578	.844	.281	.562	2.688
112	1.375	.625	.213	2.750	.844	.281	.562	2.875
113	1.375	.625	.213	3.000	.844	.281	.562	3.125
114	1.375	.625	.213	3.015	.844	.281	.562	3.125
115	1.375	.625	.213	3.125	.844	.281	.562	3.250
116	1.375	.625	.213	3.375	.844	.281	.562	3.500
117	1.375	.625	.213	3.391	.844	.281	.562	3.500
118	1.375	.625	.213	3.516	.844	.281	.562	3.625
119	1.375	.625	.213	3.625	.844	.281	.562	3.750
120	1.375	.625	.213	3.641	.844	.281	.562	3.750

FINISH AVAILABLE: ZINC^(B)

IMPRINTED ON THE BRACKET UNLESS OTHERWISE SPECIFIED.

E			TOLERANCES (EXCEPT AS NOTED)	
D			DECIMAL :	
C			.XX ±	
B	6/8/93	S.J.	.XXX ± .031	PART NAME: 1020-F CAPACITOR BRKT.
A	1/16/92	NEP		MATL: 16 GA. C.R. STEEL
NO.	DATE	BY	ANGULAR :	DATE: 8/3/87
REVISIONS			±	DR. BY: S.J.J. PART NO.: 1020F2P1

FIGLEY STAMPING COMPANY
PHONE: 419-782-6896 FAX: 419-784-5121


1C1020-F SERIES

THIS DRAWING AND INFORMATION IS THE PROPERTY OF FIGLEY STAMPING. IT IS LENT ON THE CONDITION THAT IT, IN WHOLE OR IN PART, SHALL NOT BE REPRODUCED, COPIED, LENT OR DISCLOSED TO ANY THIRD PARTY WITHOUT THE WRITTEN CONSENT OF FIGLEY STAMPING AND SHALL BE RETURNED TO FIGLEY STAMPING.

PART NO.	DIM. "G" MAX.	DIM. "H"	DIM. "J"	DIM. "L"	DIM. "M"	DIM. "D"	DIM. "C"	CASE HEIGHT
121	1.375	.625	.213	3.750	.844	.281	.562	3.875
122	1.375	.625	.213	3.875	.844	.281	.562	4.000
123	1.375	.625	.213	4.000	.844	.281	.562	4.125
124	1.375	.625	.213	4.078	.844	.281	.562	4.125
125	1.375	.625	.213	4.125	.844	.281	.562	4.250
126	1.375	.625	.213	4.375	.844	.281	.562	4.500
127	1.375	.625	.213	4.391	.844	.281	.562	4.500
128	1.375	.625	.213	4.484	.844	.281	.562	4.594
129	1.375	.625	.213	4.500	.844	.281	.562	4.625
130	1.375	.625	.213	4.562	.844	.281	.562	4.625
131	1.375	.625	.213	4.625	.844	.281	.562	4.750
132	1.375	.625	.213	4.875	.844	.281	.562	5.000
133	1.375	.625	.213	5.078	.844	.281	.562	5.188
134	1.375	.625	.213	5.125	.844	.281	.562	5.250
135	1.375	.625	.213	5.625	.844	.281	.562	5.750
136	1.375	.625	.213	5.641	.844	.281	.562	5.750
137	1.375	.625	.213	5.750	.844	.281	.562	5.875
138	1.375	.625	.213	5.875	.844	.281	.562	6.000
139	1.375	.625	.213	5.891	.844	.281	.562	6.000
140	1.375	.625	.213	6.125	.844	.281	.562	6.250
141	1.375	.625	.213	6.141	.844	.281	.562	6.250
142	1.375	.625	.213	6.313	.844	.281	.562	6.375
143	1.375	.625	.213	6.625	.844	.281	.562	6.750
144	1.375	.625	.213	6.641	.844	.281	.562	6.750
145	1.375	.625	.213	6.891	.844	.281	.562	7.000
146	1.375	.625	.213	7.125	.844	.281	.562	7.250
147	1.375	.625	.213	7.500	.844	.281	.562	7.250
148	1.375	.625	.213	7.141	.844	.281	.562	7.250
149	1.375	.625	.213	7.391	.844	.281	.562	7.500
150	1.375	.625	.213	7.500	.844	.281	.562	7.625
151	1.375	.625	.213	7.875	.844	.281	.562	8.000
152	1.375	.625	.213	7.891	.844	.281	.562	8.000
153	1.375	.625	.213	8.391	.844	.281	.562	8.500
154	1.375	.625	.213	8.875	.844	.281	.562	9.000
155	1.375	.625	.213	8.891	.844	.281	.562	9.000
156	1.375	.625	.213	9.375	.844	.281	.562	9.500
157	1.375	.625	.213	9.391	.844	.281	.562	9.500
158	1.375	.625	.213	9.125	.844	.281	.562	9.250
159	1.375	.625	.213	2.625	.844	.281	.562	2.750
160	1.375	.625	.213	1.938	.844	.281	.562	2.062
161	1.375	.625	.213	2.188	.844	.281	.562	2.313
162	1.375	.625	.213	2.938	.844	.281	.562	3.063
163	1.375	.625	.213	2.625	.844	.281	.562	2.750
164	1.375	.625	.156	3.313	.844	.281	.562	3.438
165	1.375	.625	.213	7.250	.844	.281	.562	7.375
166	1.375	.625	.213	3.688	.844	.281	.562	3.750
167								

FINISH AVAILABLE: ZINC

FIGLEY STAMPING PART NUMBER WILL BE IMPRINTED ON THE BRKT. UNLESS OTHERWISE SPECIFIED

E			TOLERANCES (EXCEPT AS NOTED) DECIMAL : .XX ± .XXX ± .031	 FIGLEY STAMPING COMPANY
D				
C				
B				
A	12/18/91	NEP	ANGULAR : ±	PART NAME: 1C1020-F CAPACITOR BRKT. MATL: 16 GA. C.R. STEEL DATE: 8/3/87 DR. BY: S.J.J. PART NO.: 1020F2P2
REVISIONS				

FIGLEY STAMPING COMPANY
PHONE: 419-782-6896 FAX: 419-784-5121


1C1020-F SERIES

FINISH AVAILABLE: ZINC

PART NO.	DIM. "G" MAX.	DIM. "H"	DIM. "J"	DIM. "L"	DIM. "M"	DIM. "D"	DIM. "C"	CASE HEIGHT
171								
172								
173								
174								
175								
176								
177								
178								
179								
180	1.875	1.250	.213	2.625	1.344	.281	.562	2.750
181	1.875	1.250	.213	2.688	1.344	.281	.562	2.812
182	1.875	1.250	.213	2.891	1.344	.281	.562	3.000
183	1.875	1.250	.213	3.562	1.344	.281	.562	3.250
184	1.875	1.250	.213	3.250	1.344	.281	.562	3.375
185	1.875	1.250	.213	3.375	1.344	.281	.562	3.500
186	1.875	1.250	.213	3.625	1.344	.281	.562	3.750
187	1.875	1.250	.213	3.688	1.344	.281	.562	3.812
188	1.875	1.250	.213	3.750	1.344	.281	.562	3.875
189	1.875	1.250	.213	3.875	1.344	.281	.562	4.000
190	1.875	1.250	.213	4.000	1.344	.281	.562	4.125
191	1.875	1.250	.213	4.015	1.344	.281	.562	4.125
192	1.875	1.250	.213	4.125	1.344	.281	.562	4.250
193	1.875	1.250	.213	4.375	1.344	.281	.562	4.500
194	1.875	1.250	.213	4.484	1.344	.281	.562	4.594
195	1.875	1.250	.213	4.500	1.344	.281	.562	4.625
196	1.875	1.250	.213	4.625	1.344	.281	.562	4.750
197	1.875	1.250	.213	4.766	1.344	.281	.562	4.875
198	1.875	1.250	.213	4.875	1.344	.281	.562	5.000
199	1.875	1.250	.213	5.000	1.344	.281	.562	5.125
200	1.875	1.250	.213	5.125	1.344	.281	.562	5.250
201	1.875	1.250	.213	5.172	1.344	.281	.562	5.281
202	1.875	1.250	.213	5.266	1.344	.281	.562	5.375
203	1.875	1.250	.213	5.516	1.344	.281	.562	5.625
204	1.875	1.250	.213	5.625	1.344	.281	.562	5.750
205	1.875	1.250	.213	5.891	1.344	.281	.562	6.000
206	1.875	1.250	.213	6.125	1.344	.281	.562	6.250
207	1.875	1.250	.213	6.375	1.344	.281	.562	6.500
208	1.875	1.250	.213	6.525	1.344	.281	.562	6.750
209	1.875	1.250	.213	6.641	1.344	.281	.562	6.750
210	1.875	1.250	.213	6.875	1.344	.281	.562	7.000
211	1.875	1.250	.213	7.125	1.344	.281	.562	7.250
212	1.875	1.250	.213	7.266	1.344	.281	.562	7.375
213	1.875	1.250	.213	7.375	1.344	.281	.562	7.500
214	1.875	1.250	.213	7.891	1.344	.281	.562	8.000
215	1.875	1.250	.213	8.875	1.344	.281	.562	9.000
216	1.875	1.250	.213	9.500	1.344	.281	.562	9.625
217	1.875	1.250	.213	2.875	1.344	.281	.562	3.000
218	1.875	1.250	.213	3.500	1.344	.281	.562	3.625
219	1.875	1.250	.213	6.750	1.344	.281	.562	6.875
220	1.875	1.250	.213	5.688	1.344	.281	.562	5.812

FIGLEY STAMPING PART NUMBER WILL BE IMPRINTED ON THE BRKT. UNLESS OTHERWISE SPECIFIED

THIS DRAWING AND INFORMATION IS THE PROPERTY OF FIGLEY STAMPING. IT IS LENT ON THE CONDITION THAT IT, IN WHOLE OR IN PART, SHALL NOT BE REPRODUCED, COPIED, LENT OR DISCLOSED TO ANY THIRD PARTY WITHOUT THE WRITTEN CONSENT OF FIGLEY STAMPING AND SHALL BE RETURNED TO FIGLEY STAMPING.

E			TOLERANCES (EXCEPT AS NOTED)		FIGLEY STAMPING COMPANY
D					
C			DECIMAL :	PART NAME: 1C1020-F CAPACITOR BRKT.	
B			.XX ±		
A	1/15/92	NEP	.XXX ± .031	MATL: 16 GA. C.R. STEEL	
NO.	DATE	BY	ANGULAR :	DATE: 7/30/87	DR. BY: S.J.J.
REVISIONS			±	PART NO.: 1020F2P3	


FIGLEY STAMPING COMPANY
PHONE: 419-782-6896 FAX: 419-784-5121

1C1020-F SERIES

THIS DRAWING AND INFORMATION IS THE PROPERTY OF FIGLEY STAMPING. IT IS LENT ON THE CONDITION THAT IT, IN WHOLE OR IN PART, SHALL NOT BE REPRODUCED, COPIED, LENT OR DISCLOSED TO ANY THIRD PARTY WITHOUT THE WRITTEN CONSENT OF FIGLEY STAMPING AND SHALL BE RETURNED TO FIGLEY STAMPING.

PART NO.	DIM. "G" MAX.	DIM. "H"	DIM. "J"	DIM. "L"	DIM. "M"	DIM. "D"	DIM. "C"	CASE HEIGHT
221	1.875	1.250	.213	6.938	1.344	.281	.563	7.062
222	1.875	1.250	.213	8.375	1.344	.281	.563	8.500
223	1.875	1.250	.213	5.938	1.344	.281	.563	6.062
224	1.875	1.250	.213	5.188	1.344	.281	.563	5.313
225	1.875	1.250	.213	5.875	1.344	.281	.563	6.000
226								
227								
228								
229								
230								
231								
232								
233								
234								
235	2.813	1.938	.213	3.141	2.281	.281	.563	3.250
236	2.813	1.938	.213	3.391	2.281	.281	.563	3.500
237	2.813	1.938	.213	3.766	2.281	.281	.563	3.875
238	2.813	1.938	.213	4.000	2.281	.281	.563	4.125
239	2.813	1.938	.213	4.015	2.281	.281	.563	4.125
240	2.813	1.938	.213	4.094	2.281	.281	.563	4.125
241	2.813	1.938	.213	4.266	2.281	.281	.563	4.375
242	2.813	1.938	.213	4.375	2.281	.281	.563	4.500
243	2.813	1.938	.213	4.500	2.281	.281	.563	4.625
244	2.813	1.938	.213	4.516	2.281	.281	.563	4.625
245	2.813	1.938	.213	4.625	2.281	.281	.563	4.750
246	2.813	1.938	.213	5.000	2.281	.281	.563	5.125
247	2.813	1.938	.213	5.375	2.281	.281	.563	5.500
248	2.813	1.938	.213	5.875	2.281	.281	.563	6.000
249	2.813	1.938	.213	5.891	2.281	.281	.563	6.000
250	2.813	1.938	.213	6.391	2.281	.281	.563	6.500
251	2.813	1.938	.213	6.891	2.281	.281	.563	7.000
252	2.813	1.938	.213	7.391	2.281	.281	.563	7.500
253	2.813	1.938	.213	8.391	2.281	.281	.563	8.500
254	2.813	1.938	.213	9.015	2.281	.281	.563	9.125
255	2.813	1.938	.213	9.516	2.281	.281	.563	9.625
256	2.813	1.938	.213	6.250	2.281	.281	.563	6.125
257	2.813	1.938	.213	3.375	2.281	.281	.563	3.500
258	2.813	1.938	.213	3.875	2.281	.281	.563	4.000
259	2.813	1.938	.213	6.750	2.281	.281	.563	3.875
260								
261								
262								
263								
264								

FIGLEY STAMPING PART NUMBER WILL BE IMPRINTED ON THE BRKT. UNLESS OTHERWISE SPECIFIED
 FINISH AVAILABLE: ZINC

E			TOLERANCES (EXCEPT AS NOTED)		FIGLEY STAMPING COMPANY
D					
C			DECIMAL :	PART NAME: 1C1020-F CAPACITOR BRKT.	
B			.XX ±		
A	1/15/92	NEP	.XXX ± .031	MATL: 16 GA. C.R. STEEL	
NO.	DATE	BY	ANGULAR :	DATE: 8/1/87	DR. BY: S.J.J.
REVISIONS			±	PART NO.: 1020F2P4	


FIGLEY STAMPING COMPANY
PHONE: 419-782-6896 FAX: 419-784-5121

1C1020-F SERIES

THIS DRAWING AND INFORMATION IS THE PROPERTY OF FIGLEY STAMPING. IT IS LENT ON THE CONDITION THAT IT, IN WHOLE OR IN PART, SHALL NOT BE REPRODUCED, COPIED, LENT OR DISCLOSED TO ANY THIRD PARTY WITHOUT THE WRITTEN CONSENT OF FIGLEY STAMPING AND SHALL BE RETURNED TO FIGLEY STAMPING.

PART NO.	DIM. "G" MAX.	DIM. "H"	DIM. "J"	DIM. "L"	DIM. "M"	DIM. "D"	DIM. "C"	CASE HEIGHT
265								
266								
267								
268								
269								
270	4.000	3.375	.281	3.391	3.656	.344	.625	3.500
271	4.000	3.375	.281	3.688	3.656	.344	.625	3.875
272	4.000	3.375	.281	3.750	3.656	.297	.563	3.875
273	4.000	3.375	.281	3.875	3.656	.313	.563	4.000
274	4.000	3.375	.281	4.016	3.656	.344	.625	4.125
275	4.000	3.375	.281	4.125	3.656	.313	.563	4.250
276	4.000	3.375	.281	4.250	3.656	.297	.563	4.375
277	4.000	3.375	.281	4.375	3.656	.313	.563	4.500
278	4.000	3.375	.281	4.500	3.656	.313	.563	4.625
279	4.000	3.375	.281	4.625	3.656	.297	.563	4.750
280	4.000	3.375	.281	4.875	3.656	.313	.563	5.000
281	4.000	3.375	.281	5.000	3.656	.297	.563	5.125
282	4.000	3.375	.281	5.250	3.656	.313	.563	5.375
283	4.000	3.375	.281	5.266	3.656	.281	.563	5.375
284	4.000	3.375	.281	5.375	3.656	.297	.563	5.500
285	4.000	3.375	.281	5.625	3.656	.313	.563	5.750
286	4.000	3.375	.281	5.766	3.656	.344	.625	5.875
287	4.000	3.375	.281	5.875	3.656	.297	.563	6.000
288	4.000	3.375	.281	6.016	3.656	.344	.625	6.125
289	4.000	3.375	.281	6.250	3.656	.375	.625	6.375
290	4.000	3.375	.281	6.375	3.656	.344	.625	6.500
291	4.000	3.375	.281	6.625	3.656	.375	.625	6.750
292	4.000	3.375	.281	6.875	3.656	.344	.625	7.000
293	4.000	3.375	.281	7.375	3.656	.344	.625	7.500
294	4.000	3.375	.281	7.875	3.656	.375	.625	8.000
295	4.000	3.375	.281	8.375	3.656	.344	.625	8.500
296	4.000	3.375	.281	9.000	3.656	.375	.625	9.125
297	4.000	3.375	.281	9.016	3.656	.344	.625	9.125
298	4.000	3.375	.281	9.125	3.656	.375	.625	9.250
299	4.000	3.375	.281	9.141	3.656	.344	.625	9.250
300	4.000	3.375	.281	9.375	3.656	.375	.625	9.500
301	4.000	3.375	.281	9.500	3.656	.344	.625	9.625
302	4.000	3.375	.281	10.375	3.656	.375	.625	10.500
306	4.000	3.375	.281	6.125	3.656	.375	.625	6.250

FIGLEY STAMPING PART NUMBER WILL BE IMPRINTED ON THE BRKT. UNLESS OTHERWISE SPECIFIED
 FINISH AVAILABLE: ZINC

E			TOLERANCES (EXCEPT AS NOTED)	 FIGLEY STAMPING COMPANY
D			DECIMAL :	
C			.XX ±	
B			.XXX ± .031	PART NAME: 1C1020-F CAPACITOR BRKT.
A	ECN 0330 7/20/98	L.J.B.		MATL: 16 GA. C.R. STEEL
NO.	DATE	BY	ANGULAR :	DATE: 1/14/94
REVISIONS			±	DR. BY: S.J.J. PART NO.: 1020F2P5