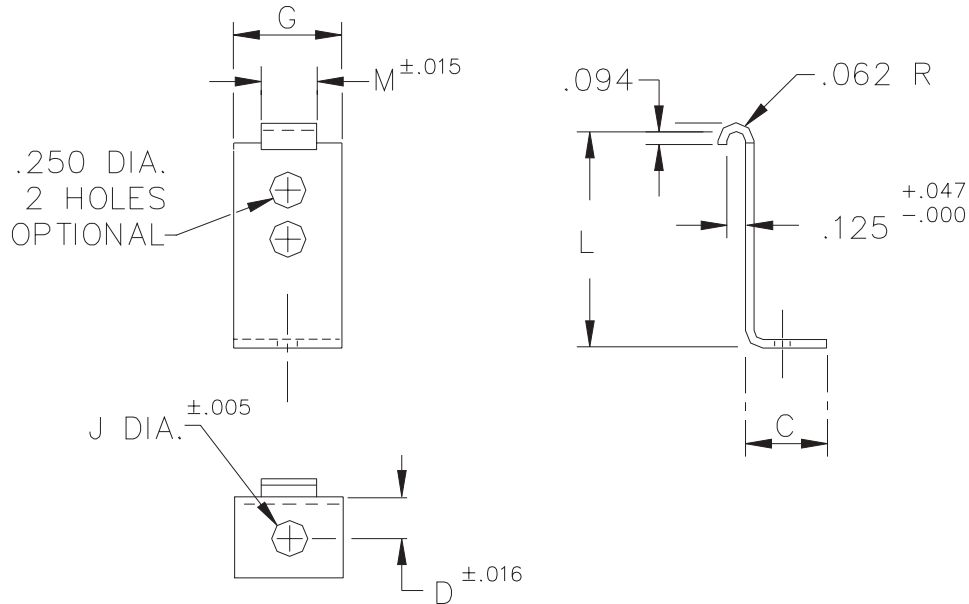


**FIGLEY STAMPING COMPANY**  
**PHONE: 419-782-6896 FAX: 419-784-5121**


**CH072 SERIES**



PART NO.	DIM. "G" MAX.	DIM. "J"	DIM. "L"	DIM. "M"	DIM. "D"	DIM. "C"	CASE HEIGHT	CASE CLASS
FA1	.625	.187	2.250	.391	.218	.438	2.375	RD-1
FA2	.625	.187	2.625	.391	.218	.438	2.750	RD-1
FA3	.625	.187	3.375	.391	.218	.438	3.500	RD-1
FA4	.625	.187	3.625	.391	.218	.438	3.750	RD-1
FA5	.625	.187	3.875	.391	.218	.438	4.000	RD-1
FA6	.625	.187	1.750	.391	.218	.438	1.875	RD-1
FB1	.625	.187	3.125	.391	.250	.469	3.250	RD-2
FB2	.625	.187	3.750	.391	.250	.469	3.875	RD-2
FB3	.625	.187	3.875	.391	.250	.469	4.000	RD-2
FB4	.625	.187	5.125	.391	.250	.469	5.250	RD-2
FC1	.625	.187	3.500	.391	.250	.469	3.625	RD-8
FC3	.625	.187	4.125	.391	.250	.469	4.250	RD-8

FINISH AVAILABLE: BLACK E-COAT  
 IMPRINTED PER MIL-C-18312/7

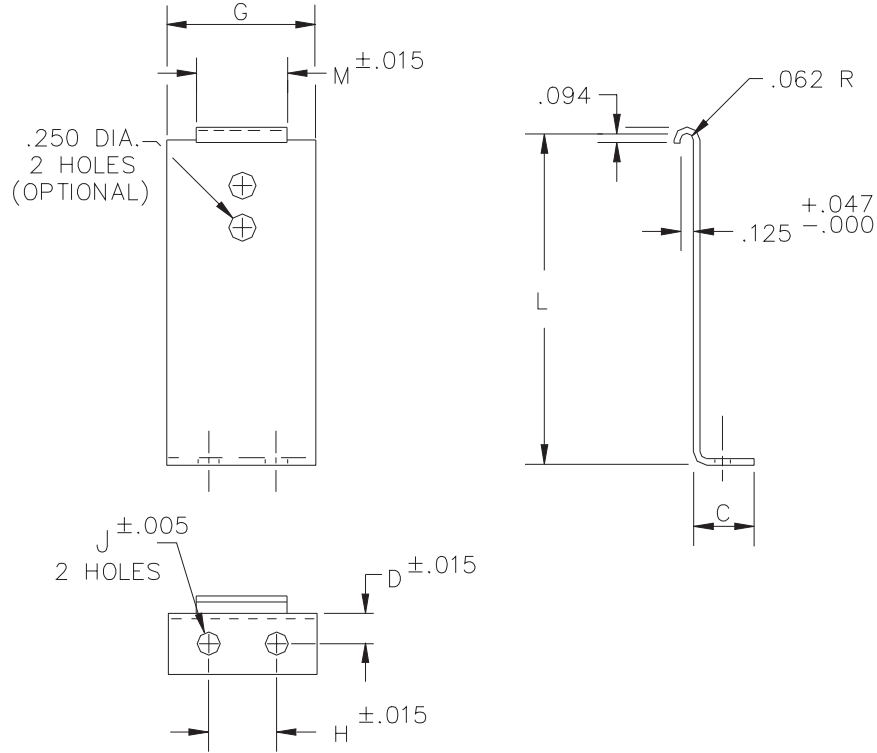
THIS DRAWING AND INFORMATION IS THE PROPERTY OF FIGLEY STAMPING. IT IS LENT ON THE CONDITION THAT IT, IN WHOLE OR IN PART, SHALL NOT BE REPRODUCED, COPIED, LENT OR DISCLOSED TO ANY THIRD PARTY WITHOUT THE WRITTEN CONSENT OF FIGLEY STAMPING AND SHALL BE RETURNED TO FIGLEY STAMPING.

<b>E</b>			<b>TOLERANCES</b> (EXCEPT AS NOTED) DECIMAL : .XX ± .XXX ± .031	 <b>FIGLEY STAMPING</b> <b>COMPANY</b>
<b>D</b>				
<b>C</b>				
<b>B</b>	12/28/93	S.J.J.	PART NAME: 1CH072-F CAPACITOR BRKT.	
<b>A</b>	1/17/92	NEP		
<b>NO.</b>	DATE	BY	ANGULAR : ±	MATL: 16 GA. C.R. STEEL DATE: 7/30/88 DR. BY: S.J.J. PART NO.: CH072F11
REVISIONS				

**FIGLEY STAMPING COMPANY**  
**PHONE: 419-782-6896 FAX: 419-784-5121**

**CH072 SERIES**


THIS DRAWING AND INFORMATION IS THE PROPERTY OF FIGLEY STAMPING. IT IS LENT ON THE CONDITION THAT IT, IN WHOLE OR IN PART, SHALL NOT BE REPRODUCED, COPIED, LENT OR DISCLOSED TO ANY THIRD PARTY WITHOUT THE WRITTEN CONSENT OF FIGLEY STAMPING AND SHALL BE RETURNED TO FIGLEY STAMPING.



PART NO.	DIM. "G" MAX.	DIM. "H"	DIM. "J"	DIM. "L"	DIM. "M"	DIM. "D"	DIM. "C"	CASE HEIGHT	CASE CLASS
FC4	1.375	.625	.213	3.875	.844	.281	.562	4.000	RD-9

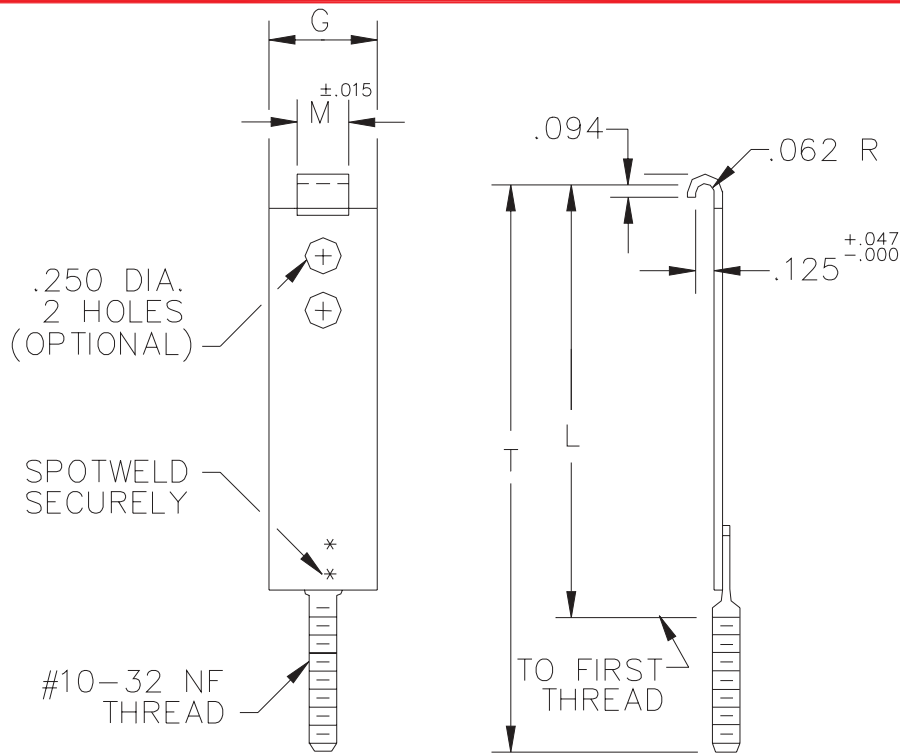
FINISH AVAILABLE: BLACK E-COAT<sup>®</sup>

IMPRINTED PER MIL-C-18312/7

E			TOLERANCES (EXCEPT AS NOTED) DECIMAL :	 <b>FIGLEY STAMPING COMPANY</b>
D				
C				
B	12/28/93	S.J.J.	.XX ±	PART NAME: 1CH072-F CAPACITOR BRKT.
A	1/17/92	NEP	.XXX ± .031	
NO.	DATE	BY	ANGULAR :	MATL: 16 GA. C.R. STEEL
REVISIONS			±	DATE: 7/30/87 DR. BY: S.J.J. PART NO.: CH072F21

**FIGLEY STAMPING COMPANY**  
**PHONE: 419-782-6896 FAX: 419-784-5121**

**CH072 SERIES**



PART NO.	DIM. "G" MAX.	DIM. "L"	DIM. "T"	DIM. "M"	CASE HEIGHT	CASE CLASS
SA1	.625	2.125	3.125	.391	2.375	RD-1
SA2	.625	2.500	3.500	.391	2.750	RD-1
SA3	.625	3.250	4.250	.391	3.500	RD-1
SA4	.625	3.500	4.500	.391	3.750	RD-1,2
SA5-SB3	.625	3.750	4.750	.391	4.000	RD-1
SA6	.625	1.625	2.625	.391	1.875	RD-1
SB1	.625	3.000	4.000	.391	3.250	RD-2
SB2	.625	3.625	4.625	.391	3.875	RD-2
SB4	.625	5.000	6.000	.391	5.250	RD-2
SC1	.625	3.375	4.375	.391	3.625	RD-8
SC3	.625	4.000	5.000	.391	4.250	RD-8

FINISH AVAILABLE: BLACK E-COAT IMPRINTED PER MIL-C-18312/7

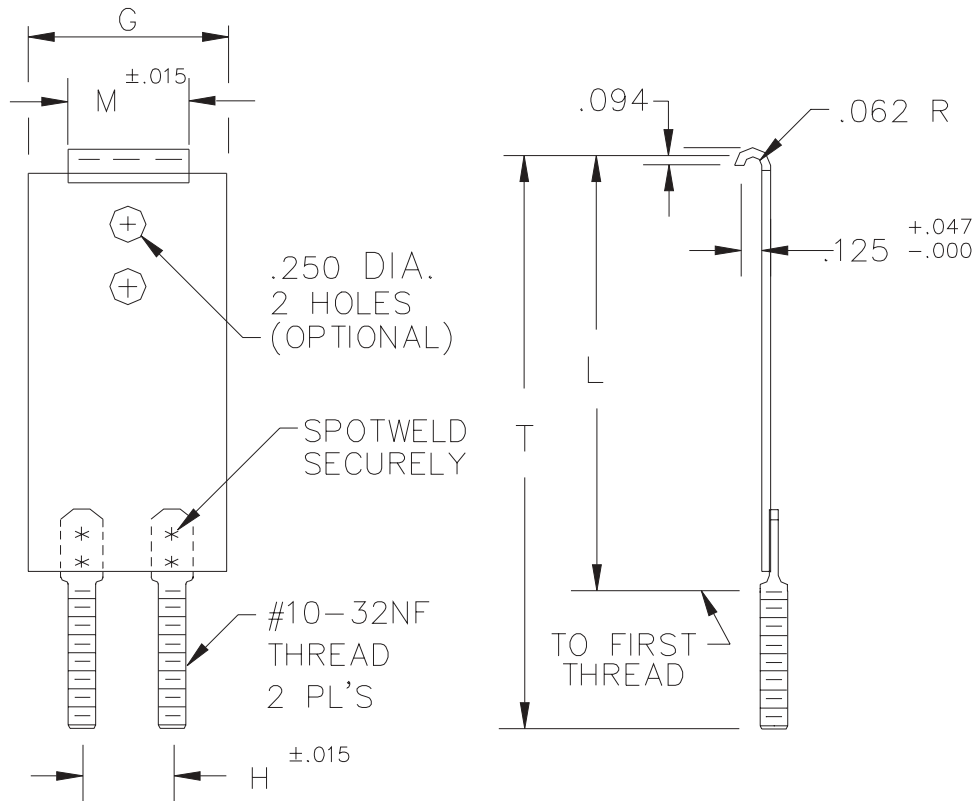
THIS DRAWING AND INFORMATION IS THE PROPERTY OF FIGLEY STAMPING. IT IS LENT ON THE CONDITION THAT IT, IN WHOLE OR IN PART, SHALL NOT BE REPRODUCED, COPIED, LENT OR DISCLOSED TO ANY THIRD PARTY WITHOUT THE WRITTEN CONSENT OF FIGLEY STAMPING AND SHALL BE RETURNED TO FIGLEY STAMPING.

<b>E</b>			<b>TOLERANCES</b> (EXCEPT AS NOTED) DECIMAL : .XX ± .XXX ± .031	
<b>D</b>				
<b>C</b>				
<b>B</b>	12/28/93	S.J.	<b>ANGULAR :</b> ±	<b>PART NAME:</b> 1CH072-S CAPACITOR BRKT.
<b>A</b>	12/18/91	NEP		<b>MATL:</b> 16 GA. C.R. STEEL
<b>NO.</b>	<b>DATE</b>	<b>BY</b>		<b>DATE:</b> 7/16/87 <b>DR. BY:</b> S.J.J. <b>PART NO.:</b> CH072S11
<b>REVISIONS</b>				

**FIGLEY STAMPING COMPANY**  
**PHONE: 419-782-6896 FAX: 419-784-5121**


**CH072 SERIES**

THIS DRAWING AND INFORMATION IS THE PROPERTY OF FIGLEY STAMPING. IT IS LENT ON THE CONDITION THAT IT, IN WHOLE OR IN PART, SHALL NOT BE REPRODUCED, COPIED, LENT OR DISCLOSED TO ANY THIRD PARTY WITHOUT THE WRITTEN CONSENT OF FIGLEY STAMPING AND SHALL BE RETURNED TO FIGLEY STAMPING.



PART NO.	DIM. "G" MAX.	DIM. "H"	DIM. "L"	DIM. "T"	DIM. "M"	CASE HEIGHT	CASE CLASS
SC4	1.375	.625	3.750	4.750	.844	4.000	RD-9

FINISH AVAILABLE: BLACK E-COAT <sup>®</sup> IMPRINTED PER MIL-C-18312/7

<b>E</b>			TOLERANCES (EXCEPT AS NOTED) DECIMAL :	 <b>FIGLEY STAMPING COMPANY</b>
<b>D</b>				
<b>C</b>				
<b>B</b>	12/28/93	S.J.J.	.XX ±	PART NAME: 1CH072-S CAPACITOR BRKT.
<b>A</b>	12/18/91	NEP	.XXX ± .031	
<b>NO.</b>	DATE	BY	ANGULAR :	MATL: 16 GA. C.R. STEEL
REVISIONS			±	DATE: 7/16/87 DR. BY: S.J.J. PART NO.: CH072S21