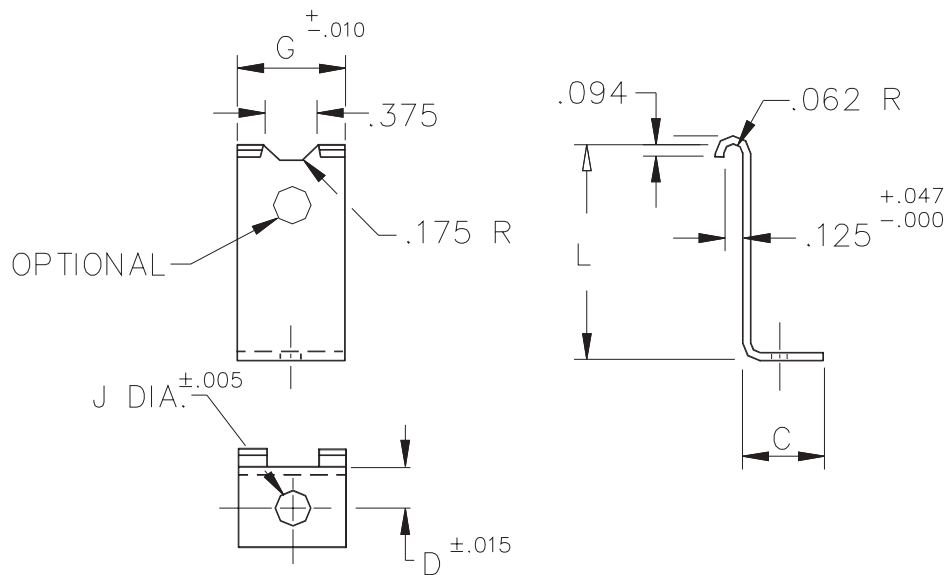


FIGLEY STAMPING COMPANY
PHONE: 419-782-6896 FAX: 419-784-5121

CP07 SERIES




FINISH AVAILABLE: BLACK E-COAT[®]

PART NO.	DIM. "G"	DIM. "J"	DIM. "L"	DIM. "D"	DIM. "C"
FA1	.750	.187	1.500	.250	.562
FA2	.750	.187	2.125	.250	.562
FA3	.750	.187	2.750	.250	.562
FA4	.750	.187	3.125	.250	.562
FA5	.750	.187	3.750	.250	.562
FA6	.750	.187	4.625	.250	.562
FB1	.750	.187	2.375	.250	.562
FB2	.750	.187	2.750	.250	.562
FB3	.750	.187	3.375	.250	.562
FB4	.750	.187	3.750	.250	.562
FB5	.750	.187	4.125	.250	.562
FB6	.750	.187	4.625	.250	.562
FC1	.750	.187	3.125	.312	.562
FC2	.750	.187	3.750	.312	.562
FC3	.750	.187	4.125	.312	.562
FC4	.750	.187	4.625	.312	.562

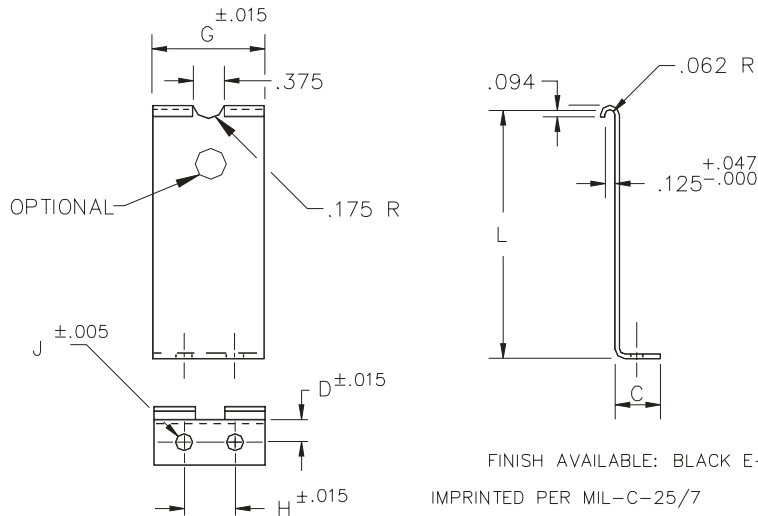
IMPRINTED PER MIL-C-25/7

THIS DRAWING AND INFORMATION IS THE PROPERTY OF FIGLEY STAMPING. IT IS LENT ON THE CONDITION THAT IT, IN WHOLE OR IN PART, SHALL NOT BE REPRODUCED, COPIED, LENT OR DISCLOSED TO ANY THIRD PARTY WITHOUT THE WRITTEN CONSENT OF FIGLEY STAMPING AND SHALL BE RETURNED TO FIGLEY STAMPING.

E			TOLERANCES (EXCEPT AS NOTED) DECIMAL : .XX ± .XXX ± .031	 FIGLEY STAMPING COMPANY
D				
C				
B	12/28/93	S.J.J.	PART NAME: 1CP07-F CAPACITOR BRKT	
A	1/20/92	NEP		
NO.	DATE	BY	ANGULAR : ±	MATL: 16 GA. C.R. STEEL
REVISIONS				DATE: 8/1/87 DR. BY: S.J.J. PART NO.: CP07F1P1


FIGLEY STAMPING COMPANY
PHONE: 419-782-6896 FAX: 419-784-5121

CP07 SERIES



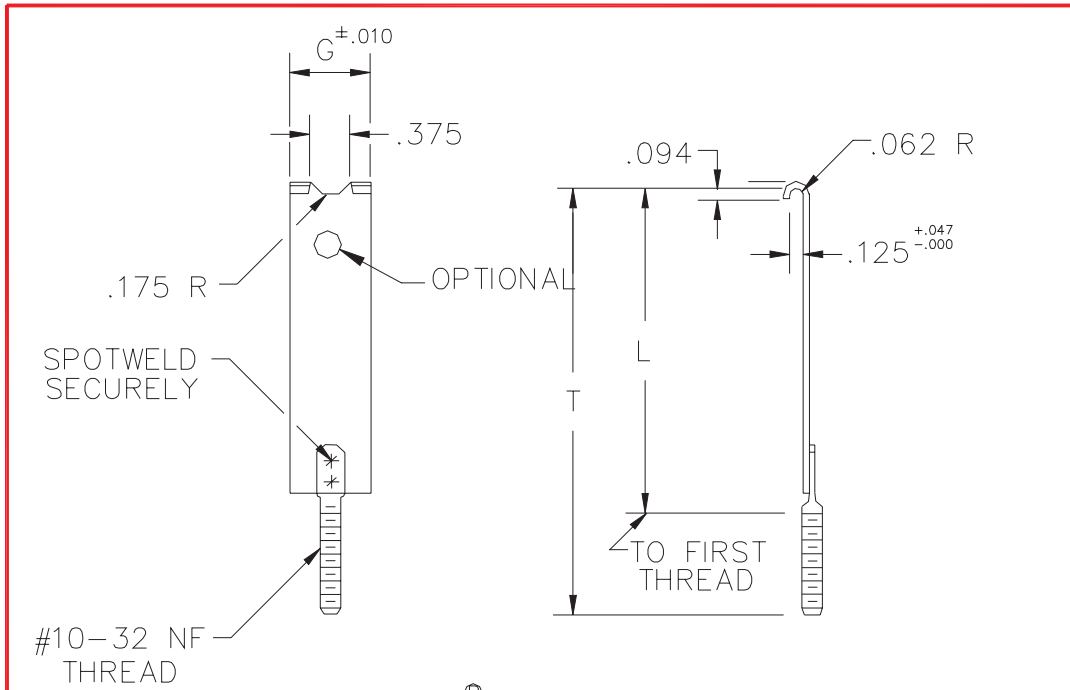
PART NO.	DIM. "G"	DIM. "H"	DIM. "J"	DIM. "L"	DIM. "D"	DIM. "C"
FD1	1.375	.625	.213	3.125	.313	.563
FD2	1.375	.625	.213	3.750	.313	.563
FD3	1.375	.625	.213	3.875	.313	.563
FD4	1.375	.625	.213	4.125	.313	.563
FD5	1.375	.625	.213	4.625	.313	.563
FE1	1.875	1.250	.213	2.625	.313	.688
FE2	1.875	1.250	.213	3.250	.313	.688
FE3	1.875	1.250	.213	3.750	.313	.688
FE4	1.875	1.250	.213	4.375	.313	.688
FE5	1.875	1.250	.213	4.625	.313	.688
FE6	1.875	1.250	.213	5.000	.313	.688
FF1	1.875	1.250	.213	4.625	.313	.688
FF2	1.875	1.250	.213	5.625	.313	.688
FG1	2.813	1.938	.213	4.375	.313	.688
FG2	2.813	1.938	.213	4.625	.313	.688
FG3	2.813	1.938	.213	5.000	.313	.688
FG4	2.813	1.938	.213	5.375	.313	.688
FJ1	4.250	3.375	.281	3.750	.313	.688
FJ2	4.250	3.375	.281	4.250	.313	.688
FJ3	4.250	3.375	.281	4.625	.313	.688
FJ4	4.250	3.375	.281	5.000	.313	.688
FJ5	4.250	3.375	.281	5.375	.313	.688
FJ6	4.250	3.375	.281	5.875	.313	.688
FJ7	4.250	3.375	.281	6.375	.375	.688
FJ8	4.250	3.375	.281	6.875	.375	.688
FJ9	4.250	3.375	.281	7.375	.375	.688
FJ10	4.250	3.375	.281	8.375	.375	.688
FJ11	4.250	3.375	.281	9.500	.375	.688

THIS DRAWING AND INFORMATION IS THE PROPERTY OF FIGLEY STAMPING. IT IS LENT ON THE CONDITION THAT IT, IN WHOLE OR IN PART, SHALL NOT BE REPRODUCED, COPIED, LENT OR DISCLOSED TO ANY THIRD PARTY WITHOUT THE WRITTEN CONSENT OF FIGLEY STAMPING AND SHALL BE RETURNED TO FIGLEY STAMPING.

E			TOLERANCES (EXCEPT AS NOTED) DECIMAL :	 FIGLEY STAMPING COMPANY
D				
C				
B	12/28/93	S.J.J.	.XX ±	PART NAME: 1CP07-F CAPACITOR BRKT.
A	1/20/92	NEP	.XXX ± .031	
NO.	DATE	BY	ANGULAR :	MATL: 16 GA. C.R. STEEL
REVISIONS			±	DATE: 8/1/87 DR. BY: S.J.J. PART NO.: CP07F2P1

FIGLEY STAMPING COMPANY
PHONE: 419-782-6896 FAX: 419-784-5121


CP07 SERIES



FINISH AVAILABLE: BLACK E-COAT[®] IMPRINTED PER MIL-C-25/7

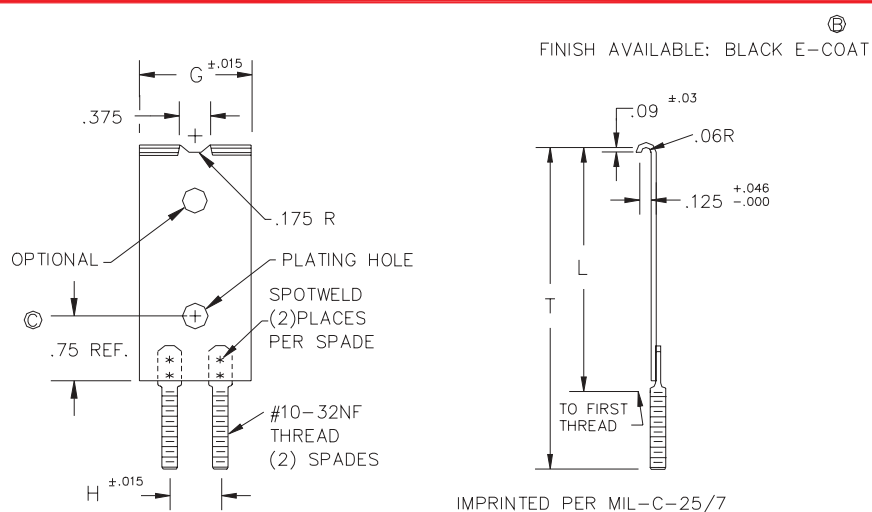
PART NO.	DIM. "G"	DIM. "L"	DIM. "T"
SA1	.750	1.375	2.375
SA2	.750	2.000	3.000
SA3	.750	2.625	3.625
SA4	.750	3.000	4.000
SA5	.750	3.625	4.625
SA6	.750	4.500	5.500
SB1	.750	2.250	3.250
SB2	.750	2.625	3.625
SB3	.750	3.250	4.250
SB4	.750	3.625	4.625
SB5	.750	4.000	5.000
SB6	.750	4.500	5.500
SC1	.750	3.000	4.000
SC2	.750	3.625	4.625
SC3	.750	4.000	5.000
SC4	.750	4.500	5.500

THIS DRAWING AND INFORMATION IS THE PROPERTY OF FIGLEY STAMPING. IT IS LENT ON THE CONDITION THAT IT, IN WHOLE OR IN PART, SHALL NOT BE REPRODUCED, COPIED, LENT OR DISCLOSED TO ANY THIRD PARTY WITHOUT THE WRITTEN CONSENT OF FIGLEY STAMPING AND SHALL BE RETURNED TO FIGLEY STAMPING.

E			TOLERANCES (EXCEPT AS NOTED)		FIGLEY STAMPING COMPANY
D					
C			DECIMAL :		
B	ECN 0364 2/10/99	L.J.B.	.XX ±	PART NAME: 1CP07-S	
A	1/20/92	NEP	.XXX ± .031	CAPACITOR BRKT.	
NO.	DATE	BY	ANGULAR :	MATL: 16 GA. C.R. STEEL	
REVISIONS			±	DATE: 8/1/87	DR. BY: S.J.J. PART NO.: CP07S1P1

FIGLEY STAMPING COMPANY
PHONE: 419-782-6896 FAX: 419-784-5121

CP07 SERIES



PART NO.	DIM. "G"	DIM. "H"	DIM. "L"	DIM. "T"
SD1	1.375	.625	3.000	4.000
SD2	1.375	.625	3.625	4.625
SD3	1.375	.625	3.750	4.750
SD4	1.375	.625	4.000	5.000
SD5	1.375	.625	4.500	5.500
SE1	1.875	1.250	2.500	3.500
SE2	1.875	1.250	3.125	4.125
SE3	1.875	1.250	3.625	4.625
SE4	1.875	1.250	4.250	5.250
SE5	1.875	1.250	4.500	5.500
SE6	1.875	1.250	4.875	5.875
SF1	1.875	1.250	4.500	5.500
SF2	1.875	1.250	5.500	6.500
SG1	2.813	1.938	4.250	5.250
SG2	2.813	1.938	4.500	5.500
SG3	2.813	1.938	4.875	5.875
SG4	2.813	1.938	5.250	6.250
SJ1	4.250	3.375	3.625	4.625
SJ2	4.250	3.375	4.125	5.125
SJ3	4.250	3.375	4.500	5.500
SJ4	4.250	3.375	4.875	5.875
SJ5	4.250	3.375	5.250	6.250
SJ6	4.250	3.375	5.750	6.750
SJ7	4.250	3.375	6.250	7.250
SJ8	4.250	3.375	6.750	7.750
SJ9	4.250	3.375	7.250	8.250
SJ10	4.250	3.375	8.250	9.250
SJ11	4.250	3.375	9.375	10.375

THIS DRAWING AND INFORMATION IS THE PROPERTY OF FIGLEY STAMPING. IT IS LENT ON THE CONDITION THAT IT, IN WHOLE OR IN PART, SHALL NOT BE REPRODUCED, COPIED, LENT OR DISCLOSED TO ANY THIRD PARTY WITHOUT THE WRITTEN CONSENT OF FIGLEY STAMPING AND SHALL BE RETURNED TO FIGLEY STAMPING.

E			TOLERANCES (EXCEPT AS NOTED)	
D				
C	ECN 0047 9/13/94	S.J.J.	DECIMAL :	PART NAME: 1CP07S CAPACITOR BRKT.
B	12/28/93	S.J.J.	.XX ±	
A	1/23/92	NEP	.XXX ± .031	
NO.	DATE	BY	ANGULAR :	MATL: 16 GA. C.R. STEEL
REVISIONS			±	DATE: 8/1/88 DR. BY: S.J.J. PART NO.: CP07S2P1