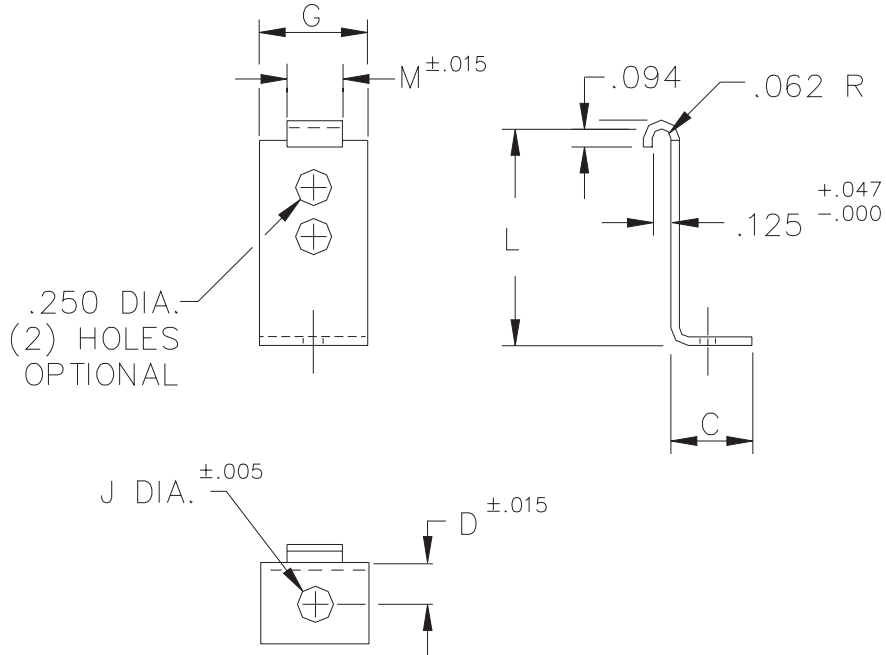


**FIGLEY STAMPING COMPANY**  
**PHONE: 419-782-6896 FAX: 419-784-5121**


**CP072 SERIES**

THIS DRAWING AND INFORMATION IS THE PROPERTY OF FIGLEY STAMPING. IT IS LENT ON THE CONDITION THAT IT, IN WHOLE OR IN PART, SHALL NOT BE REPRODUCED, COPIED, LENT OR DISCLOSED TO ANY THIRD PARTY WITHOUT THE WRITTEN CONSENT OF FIGLEY STAMPING AND SHALL BE RETURNED TO FIGLEY STAMPING.



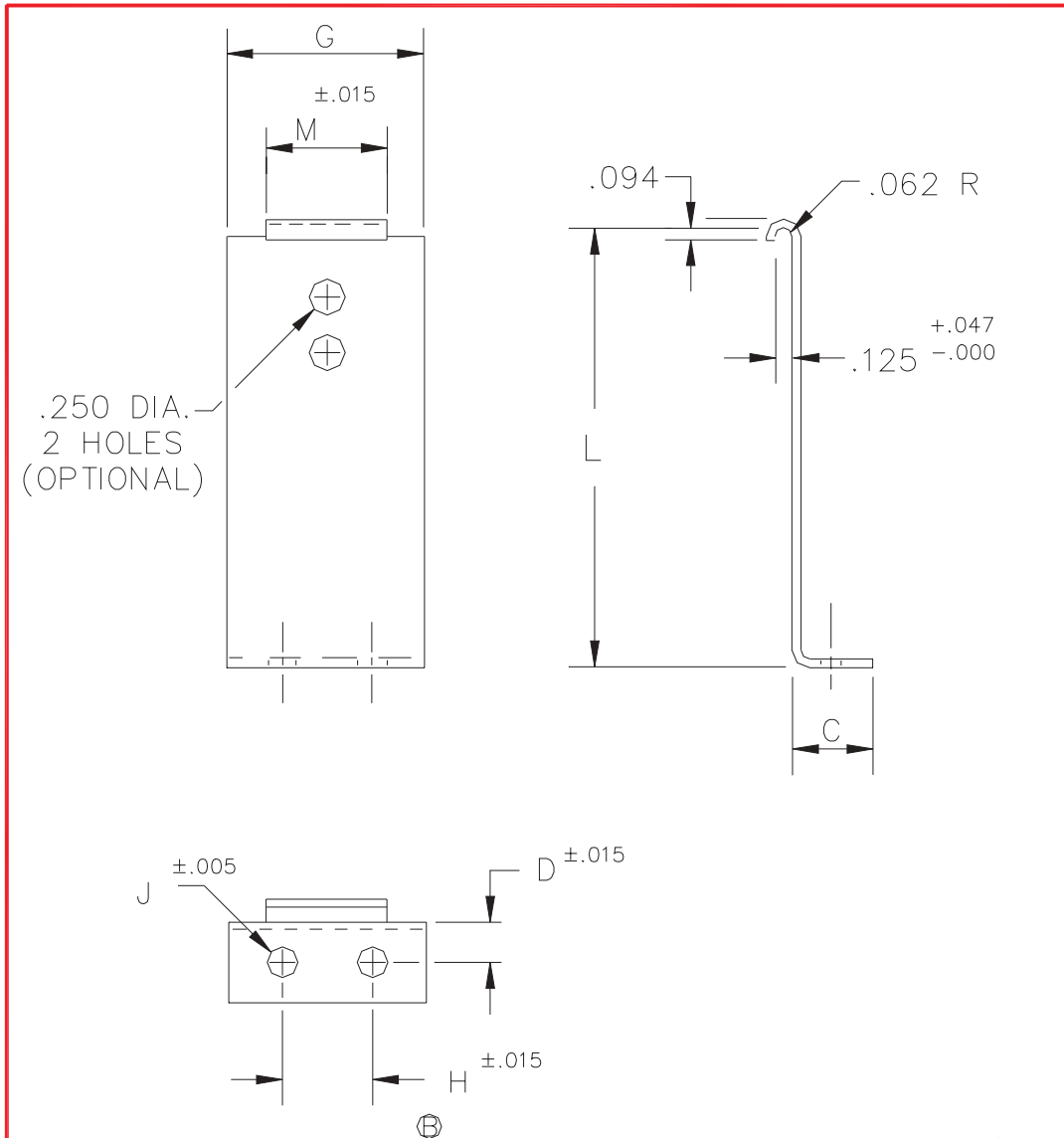
PART NO.	DIM. "G" MAX.	DIM. "J"	DIM. "L"	DIM. "M"	DIM. "D"	DIM. "C"	CASE HEIGHT	CASE CLASS
FA1	.625	.187	1.500	.391	.218	.438	1.625	RD-1
FA2	.625	.187	2.125	.391	.218	.438	2.250	RD-1
FA3-B2	.625	.187	2.750	.391	.218	.438	2.875	RD-1
FA4-C1	.625	.187	3.125	.391	.218	.438	3.250	RD-1
FA5-B4-C2	.625	.187	3.750	.391	.218	.438	3.875	RD-1
FA6-B6-C4	.625	.187	4.625	.391	.218	.438	4.750	RD-1
FB1	.625	.187	2.375	.391	.250	.469	2.500	RD-2
FB2	.625	.187	2.750	.391	.250	.469	2.875	RD-2
FB3	.625	.187	3.375	.391	.250	.469	3.500	RD-2
FB4-FC2	.625	.187	3.750	.391	.250	.469	3.875	RD-2,3
FB5-FC3	.625	.187	4.125	.391	.250	.469	4.250	RD-2,3
FB6-FC4	.625	.187	4.625	.391	.250	.469	4.750	RD-2,3
FC1	.625	.187	3.125	.391	.250	.469	3.250	RD-3

FINISH AVAILABLE: BLACK E-COAT<sup>®</sup>      IMPRINTED PER MIL-C-25/7

<b>E</b>			<b>TOLERANCES</b> (EXCEPT AS NOTED)	
<b>D</b>			<b>DECIMAL :</b>	
<b>C</b>	ECN 0336 8/10/98	L.J.B.	.XX ±	<b>PART NAME:</b> 1CP072-F CAPACITOR BRKT.
<b>B</b>	12/28/93	S.J.J.	.XXX ± .031	
<b>A</b>	1/17/92	NEP		
<b>NO.</b>	<b>DATE</b>	<b>BY</b>	<b>ANGULAR :</b>	<b>MATL:</b> 16 GA. C.R. STEEL
<b>REVISIONS</b>			±	<b>DATE:</b> 7/30/87 <b>DR. BY:</b> S.J.J. <b>PART NO.:</b> CP072F11

**FIGLEY STAMPING COMPANY**  
**PHONE: 419-782-6896 FAX: 419-784-5121**


**CP072 SERIES**



THIS DRAWING AND INFORMATION IS THE PROPERTY OF FIGLEY STAMPING. IT IS LENT ON THE CONDITION THAT IT, IN WHOLE OR IN PART, SHALL NOT BE REPRODUCED, COPIED, LENT OR DISCLOSED TO ANY THIRD PARTY WITHOUT THE WRITTEN CONSENT OF FIGLEY STAMPING AND SHALL BE RETURNED TO FIGLEY STAMPING.

FINISH AVAILABLE: BLACK E-COAT

IMPRINTED PER MIL-C-25/7

<b>E</b>			TOLERANCES (EXCEPT AS NOTED)	
<b>D</b>				
<b>C</b>	6/28/96	S.J.J.	DECIMAL :	PART NAME: 1CP072-F CAPACITOR BRKT.
<b>B</b>	12/28/93	S.J.J.	.XX ±	
<b>A</b>	1/17/92	NEP	.XXX ± .031	
<b>NO.</b>	DATE	BY	ANGULAR :	MATL: 16 GA. C.R. STEEL
REVISIONS			±	DATE: 7/30/88 DR. BY: S.J.J. PART NO.: CP072F21

**FIGLEY STAMPING COMPANY**  
**PHONE: 419-782-6896    FAX: 419-784-5121**


**CP072 SERIES**

THIS DRAWING AND INFORMATION IS THE PROPERTY OF FIGLEY STAMPING. IT IS LENT ON THE CONDITION THAT IT, IN WHOLE OR IN PART, SHALL NOT BE REPRODUCED, COPIED, LENT OR DISCLOSED TO ANY THIRD PARTY WITHOUT THE WRITTEN CONSENT OF FIGLEY STAMPING AND SHALL BE RETURNED TO FIGLEY STAMPING.

PART NO.	DIM. "G"	DIM. "H"	DIM. "J"	DIM. "L"	DIM. "M"	DIM. "D"	DIM. "C"	CASE HEIGHT	CASE CLASS
FD1	1.375	.625	.213	3.125	.844	.281	.562	3.250	RD-4
FD2	1.375	.625	.213	3.750	.844	.281	.562	3.875	RD-4
FD3	1.375	.625	.213	3.875	.844	.281	.562	4.000	RD-4
FD4	1.375	.625	.213	4.125	.844	.281	.562	4.250	RD-4
FD5	1.375	.625	.213	4.625	.844	.281	.562	4.750	RD-4
FE1	1.875	1.250	.213	2.625	1.344	.281	.562	2.750	RD-5
FE2	1.875	1.250	.213	3.250	1.344	.281	.562	3.375	RD-5
FE3	1.875	1.250	.213	3.750	1.344	.281	.562	3.875	RD-5
FE4	1.875	1.250	.213	4.375	1.344	.281	.562	4.500	RD-5
FE5-FF1	1.875	1.250	.213	4.625	1.344	.281	.562	4.750	RD-5,6
FE6	1.875	1.250	.213	5.000	1.344	.281	.562	5.125	RD-5
FF2	1.875	1.250	.213	5.625	1.344	.281	.562	5.750	RD-6
FG1	2.813	1.938	.213	4.375	2.281	.281	.562	4.500	RD-7
FG2	2.813	1.938	.213	4.625	2.281	.281	.562	4.750	RD-7
FG3	2.813	1.938	.213	5.000	2.281	.281	.562	5.125	RD-7
FG4	2.813	1.938	.213	5.375	2.281	.281	.562	5.500	RD-7
FJ1	4.000	3.375	.281	3.750	3.656	.297	.562	3.875	RD-11
FJ2	4.000	3.375	.281	4.250	3.656	.297	.562	4.375	RD-11
FJ3	4.000	3.375	.281	4.625	3.656	.297	.562	4.750	RD-11
FJ4	4.000	3.375	.281	5.000	3.656	.297	.562	5.125	RD-11
FJ5	4.000	3.375	.281	5.375	3.656	.297	.562	5.500	RD-11
FJ6	4.000	3.375	.281	5.875	3.656	.297	.562	6.000	RD-11
FJ7	4.000	3.375	.281	6.375	3.656	.297	.625	6.500	RD-11
FJ8	4.000	3.375	.281	6.875	3.656	.344	.625	7.000	RD-11
FJ9	4.000	3.375	.281	7.375	3.656	.344	.625	7.500	RD-11
FJ10	4.000	3.375	.281	8.375	3.656	.344	.625	8.500	RD-11
FJ11	4.000	3.375	.281	9.500	3.656	.344	.625	9.625	RD-11

⊕  
FINISH: BLACK E-COAT

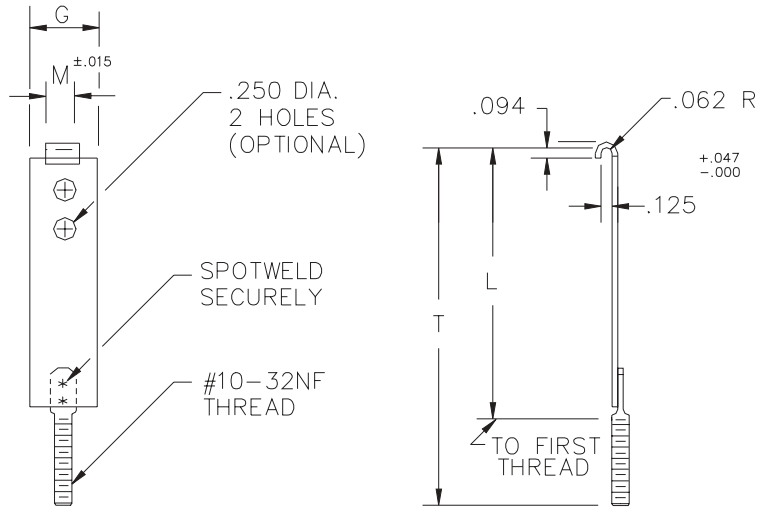
IMPRINTED PER MIL-C-25/7

<b>E</b>			TOLERANCES (EXCEPT AS NOTED)  DECIMAL :	 <b>FIGLEY STAMPING COMPANY</b>
<b>D</b>				
<b>C</b>				
<b>B</b>	12/28/93	S.J.J.	.XX ±	PART NAME: 1CP072-F
<b>A</b>	1/17/92	NEP	.XXX ± .031	CAPACITOR BRKT.
<b>NO.</b>	DATE	BY	ANGULAR :	MATL: 16 GA. C.R. STEEL
	REVISIONS		±	DATE: 7/30/88    DR. BY: S.J.J.    PART NO.: CP072F22

**FIGLEY STAMPING COMPANY**  
**PHONE: 419-782-6896 FAX: 419-784-5121**

**CP072 SERIES**

THIS DRAWING AND INFORMATION IS THE PROPERTY OF FIGLEY STAMPING. IT IS LENT ON THE CONDITION THAT IT, IN WHOLE OR IN PART, SHALL NOT BE REPRODUCED, COPIED, LENT OR DISCLOSED TO ANY THIRD PARTY WITHOUT THE WRITTEN CONSENT OF FIGLEY STAMPING AND SHALL BE RETURNED TO FIGLEY STAMPING.




PART NO.	DIM. "G" MAX.	DIM. "L"	DIM. "T"	DIM. "M"	CASE HEIGHT	CASE CLASS
SA1	.625	1.375	2.375	.391	3.625	RD-1
SA2	.625	2.000	3.000	.391	2.250	RD-1
SA3-SB2	.625	2.625	3.625	.391	2.875	RD-1,2
SA4-SC1	.625	3.000	4.000	.391	3.250	RD-1,3
SA5-SB4-SC2	.625	3.625	4.625	.391	3.875	RD-1,2,3
SA6-SB6-SC4	.625	4.500	5.500	.391	4.750	RD-1,2,,3
SB1	.625	2.250	3.250	.391	2.500	RD-2
SB3	.625	3.250	4.250	.391	3.500	RD-2
SB5-SC3	.625	4.000	5.000	.391	4.250	RD-2,3

Ⓟ

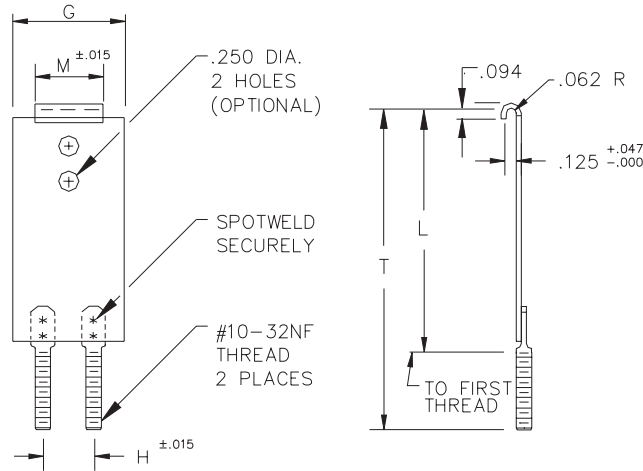
FINISH AVAILABLE: BLACK E-COAT

IMPRINTED PER MIL-C-25/7

<b>E</b>			<b>TOLERANCES</b> (EXCEPT AS NOTED) DECIMAL : .XX ± .XXX ± .031	
<b>D</b>				
<b>C</b>				
<b>B</b>	12/28/96	S.J.J.	<b>ANGULAR :</b> ±	<b>PART NAME:</b> 1CP072-S CAPACITOR BRKT.
<b>A</b>	1/15/92	NEP		<b>MATL:</b> 16 GA. C.R. STEEL
<b>NO.</b>	<b>DATE</b>	<b>BY</b>		<b>DATE:</b> 7/16/87   <b>DR. BY:</b> S.J.J.   <b>PART NO.:</b> CP072S11
<b>REVISIONS</b>				

**FIGLEY STAMPING COMPANY**  
**PHONE: 419-782-6896 FAX: 419-784-5121**


**CP072 SERIES**



FINISH AVAILABLE: BLACK E-COAT      IMPRINTED PER MIL-C-25/7

PART NO.	DIM. "G" MAX.	DIM. "H"	DIM. "L"	DIM. "T"	DIM. "M"	CASE HEIGHT	CASE CLASS
SD1	1.375	.625	3.000	4.000	.844	3.250	RD-4
SD2	1.375	.625	3.625	4.625	.844	3.875	RD-4
SD3	1.375	.625	3.750	4.750	.844	4.000	RD-4
SD4	1.375	.625	4.000	5.000	.844	4.250	RD-4
SD5	1.375	.625	4.500	5.500	.844	4.750	RD-4
SE1	1.875	1.250	2.500	3.500	1.344	2.750	RD-5
SE2	1.875	1.250	3.125	4.125	1.344	3.375	RD-5
SE3	1.875	1.250	3.625	4.625	1.344	3.875	RD-5
SE4	1.875	1.250	4.250	5.250	1.344	4.500	RD-5
SE5-SF1	1.875	1.250	4.500	5.500	1.344	4.750	RD-5,6
SE6	1.875	1.250	4.875	5.875	1.344	5.125	RD-5
SF2	1.875	1.250	5.500	6.500	1.344	5.375	RD-6
SG1	2.813	1.938	4.250	5.250	2.281	4.500	RD-7
SG2	2.813	1.938	4.500	5.500	2.281	4.750	RD-7
SG3	2.813	1.938	4.875	5.875	2.281	5.125	RD-7
SG4	2.813	1.938	5.250	6.250	2.281	5.500	RD-7
SJ1	4.000	3.375	3.625	4.625	3.656	3.875	RD-11
SJ2	4.000	3.375	4.125	5.125	3.656	4.375	RD-11
SJ3	4.000	3.375	4.500	5.500	3.656	4.750	RD-11
SJ4	4.000	3.375	4.875	5.875	3.656	5.125	RD-11
SJ5	4.000	3.375	5.250	6.250	3.656	5.500	RD-11
SJ6	4.000	3.375	5.750	6.750	3.656	6.000	RD-11
SJ7	4.000	3.375	6.250	7.250	3.656	6.500	RD-11
SJ8	4.000	3.375	6.750	7.750	3.656	7.000	RD-11
SJ9	4.000	3.375	7.250	8.250	3.656	7.500	RD-11
SJ10	4.000	3.375	8.250	9.250	3.656	8.500	RD-11
SJ11	4.000	3.375	9.375	10.375	3.656	9.625	RD-11

THIS DRAWING AND INFORMATION IS THE PROPERTY OF FIGLEY STAMPING. IT IS LENT ON THE CONDITION THAT IT, IN WHOLE OR IN PART, SHALL NOT BE REPRODUCED, COPIED, LENT OR DISCLOSED TO ANY THIRD PARTY WITHOUT THE WRITTEN CONSENT OF FIGLEY STAMPING AND SHALL BE RETURNED TO FIGLEY STAMPING.

<b>E</b>			<b>TOLERANCES</b> (EXCEPT AS NOTED) DECIMAL : .XX ± .XXX ± .031	 <b>FIGLEY STAMPING COMPANY</b>
<b>D</b>				
<b>C</b>				
<b>B</b>	12/28/93	S.J.J.	PART NAME: 1CP072-S CAPACITOR BRKT.	
<b>A</b>	12/18/91	NEP		
<b>NO.</b>	DATE	BY	ANGULAR : ±	MATL: 16 GA. C.R. STEEL
REVISIONS				DATE: 7/20/88 DR. BY: S.J.J. PART NO.: CP072S21