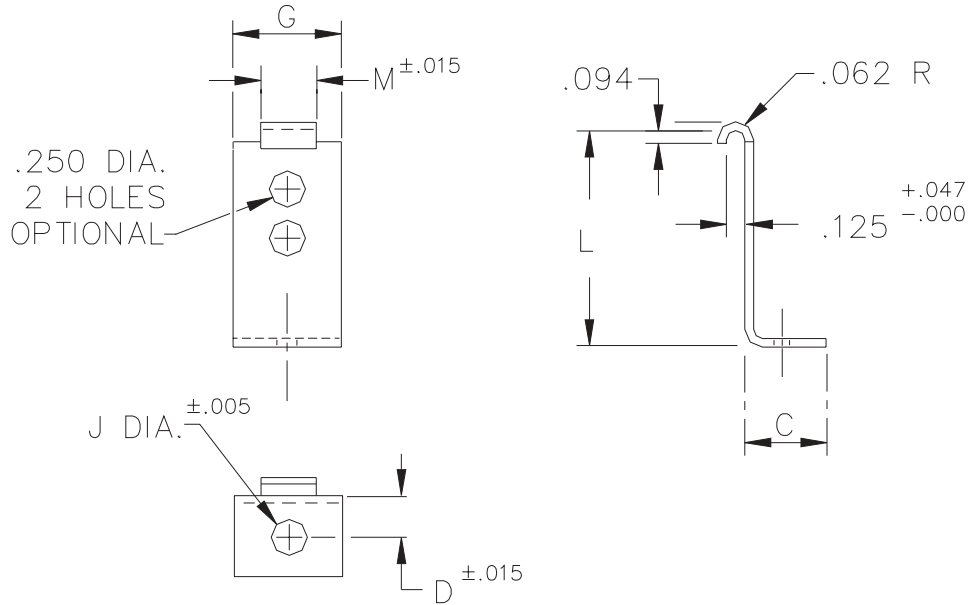


FIGLEY STAMPING COMPANY
PHONE: 419-782-6896 FAX: 419-784-5121

CQ072 SERIES




THIS DRAWING AND INFORMATION IS THE PROPERTY OF FIGLEY STAMPING. IT IS LENT ON THE CONDITION THAT IT, IN WHOLE OR IN PART, SHALL NOT BE REPRODUCED, COPIED, LENT OR DISCLOSED TO ANY THIRD PARTY WITHOUT THE WRITTEN CONSENT OF FIGLEY STAMPING AND SHALL BE RETURNED TO FIGLEY STAMPING.

PART NO.	DIM. "G" MAX.	DIM. "J"	DIM. "L"	DIM. "M"	DIM. "D"	DIM. "C"	CASE HEIGHT	CASE CLASS
FA1	.625	.187	1.500	.391	.218	.438	1.625	RD-1
FA2	.625	.187	2.125	.391	.218	.438	2.250	RD-1
FA3	.625	.187	2.750	.391	.218	.438	2.875	RD-1
FA5	.625	.187	3.750	.391	.218	.438	3.875	RD-1
FB2	.625	.187	2.750	.391	.250	.468	2.875	RD-2
FB3	.625	.187	3.375	.391	.250	.468	3.500	RD-2
FB4-FC2	.625	.187	3.750	.391	.250	.468	3.875	RD-2,3
FB5-FC3	.625	.187	4.125	.391	.250	.468	4.250	RD-2,3
FB6-FC4	.625	.187	4.625	.391	.250	.468	4.750	RD-2,3
FC1	.625	.187	3.125	.391	.250	.468	3.250	RD-3
FA6	.625	.187	4.625	.391	.250	.438	4.750	RD-1
FB1	.625 [Ⓢ]	.187	2.375	.391	.250	.625		

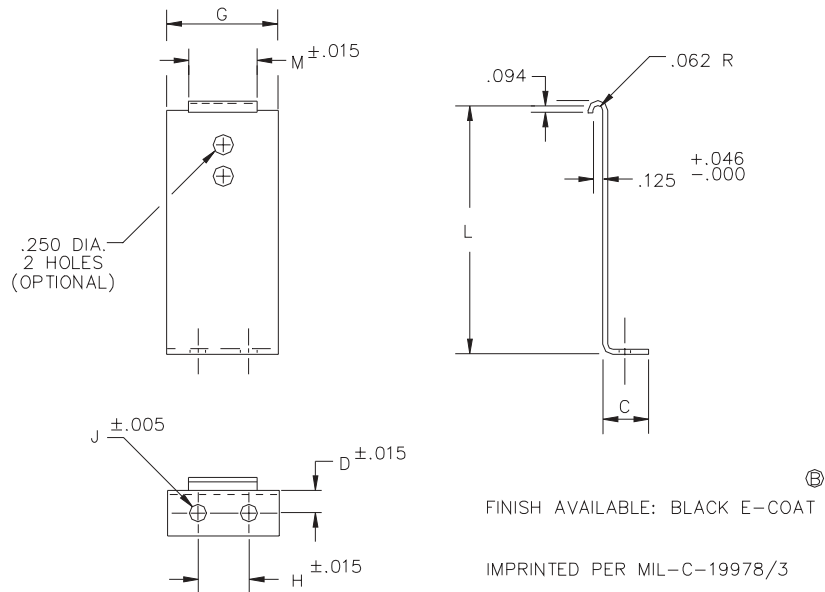
FINISH AVAILABLE: BLACK E-COAT [Ⓢ]

IMPRINTED PER MIL-C-19978/3

E			TOLERANCES (EXCEPT AS NOTED)	 FIGLEY STAMPING COMPANY
D				
C	1/4/94	S.J.J.	DECIMAL :	PART NAME: 1CQ072-F CAPACITOR BRKT.
B	12/28/93	S.J.J.	.XX ±	
A	1/17/92	NEP	.XXX ± .031	
NO.	DATE	BY	ANGULAR :	MATL: 16 GA. C.R. STEEL
REVISIONS			±	DATE: 7/28/87 DR. BY: S.J.J. PART NO.: CQ072F11


FIGLEY STAMPING COMPANY
PHONE: 419-782-6896 FAX: 419-784-5121

CQ072 SERIES



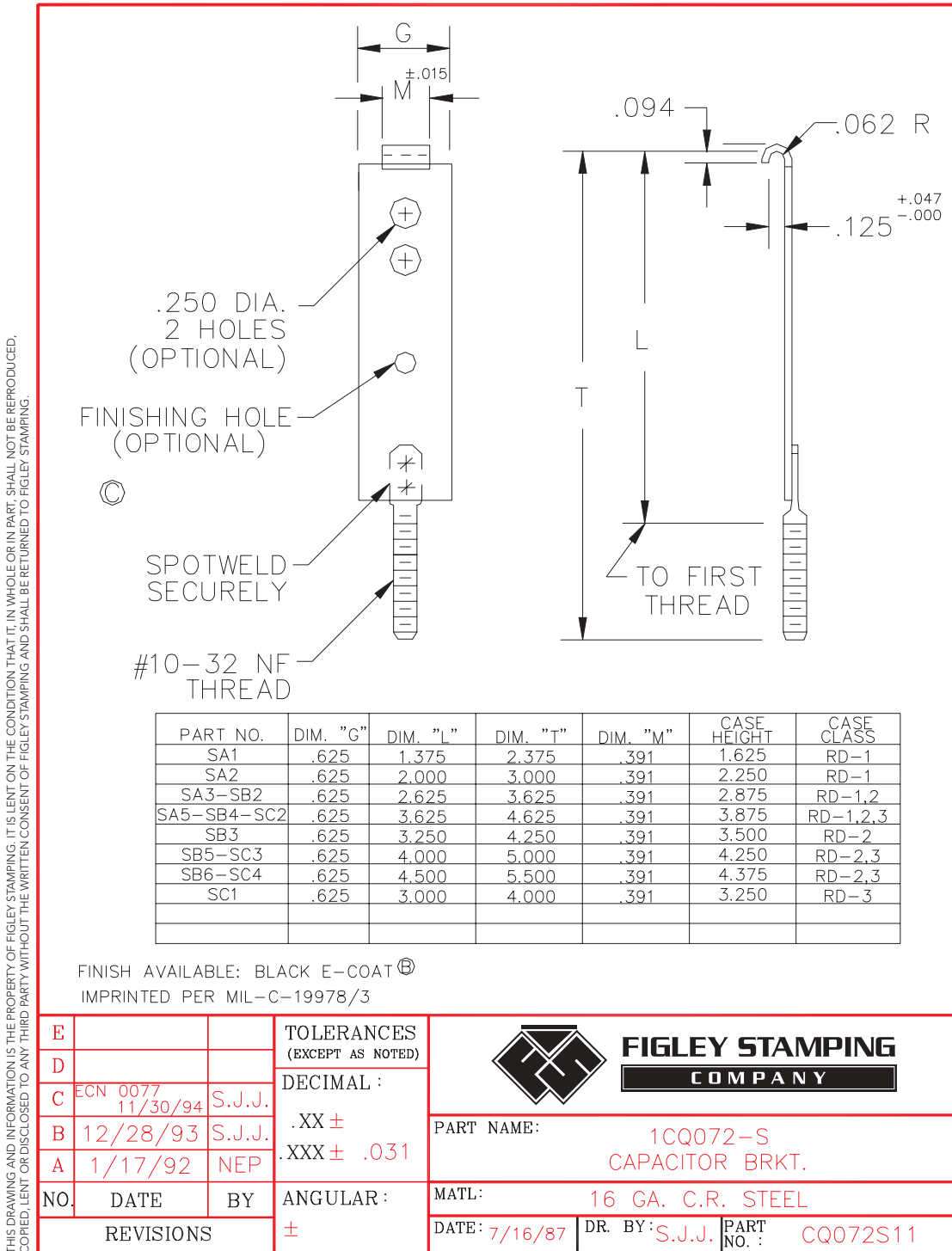
PART NO.	DIM. "G" MAX.	DIM. "H"	"J"	DIM. "L"	DIM. "M"	DIM. "D"	DIM. "C"	CASE HEIGHT	CASE CLASS
FD1	1.375	.625	.213	3.125	.844	.281	.562	3.250	RD-4
FD2	1.375	.625	.213	3.750	.844	.281	.562	3.875	RD-4
FD4	1.375	.625	.213	4.125	.844	.281	.562	4.250	RD-4
FD5	1.375	.625	.213	4.625	.844	.281	.562	4.750	RD-4
FE2	1.875	1.250	.213	3.250	1.344	.281	.562	3.375	RD-5
FE3	1.875	1.250	.213	3.750	1.344	.281	.562	3.875	RD-5
FE4	1.875	1.250	.213	4.375	1.344	.281	.562	4.500	RD-5
FE5-FF1	1.875	1.250	.213	4.625	1.344	.281	.562	4.750	RD-5,6
FE6	1.875	1.250	.213	5.000	1.344	.281	.562	5.125	RD-5
FF2	1.875	1.250	.213	5.625	1.344	.281	.562	5.750	RD-6
FG1	2.813	1.938	.213	4.375	2.281	.281	.562	4.500	RD-7
FG2	2.813	1.938	.213	4.625	2.281	.281	.562	4.750	RD-7
FG3	2.813	1.938	.213	5.000	2.281	.281	.562	5.125	RD-7
FG4	2.813	1.938	.213	5.375	2.281	.281	.562	5.500	RD-7
FJ1	4.000	3.375	.281	3.750	3.656	.297	.562	3.875	RD-11
FJ2	4.000	3.375	.281	4.250	3.656	.297	.562	4.375	RD-11
FJ3	4.000	3.375	.281	4.625	3.656	.297	.562	4.750	RD-11
FJ4	4.000	3.375	.281	5.000	3.656	.297	.562	5.125	RD-11
FJ5	4.000	3.375	.281	5.375	3.656	.297	.562	5.500	RD-11
FJ6	4.000	3.375	.281	5.875	3.656	.297	.562	6.000	RD-11

THIS DRAWING AND INFORMATION IS THE PROPERTY OF FIGLEY STAMPING. IT IS LENT ON THE CONDITION THAT IT, IN WHOLE OR IN PART, SHALL NOT BE REPRODUCED, COPIED, LENT OR DISCLOSED TO ANY THIRD PARTY WITHOUT THE WRITTEN CONSENT OF FIGLEY STAMPING AND SHALL BE RETURNED TO FIGLEY STAMPING.

E			TOLERANCES (EXCEPT AS NOTED)	 FIGLEY STAMPING COMPANY
D			DECIMAL :	
C			.XX ±	
B	12/28/93	S.J.J.	.XXX ± .031	PART NAME: 1CQ072-F CAPACITOR BRKT.
A	1/17/92	NEP		MATL: 16 GA. C.R. STEEL
NO.	DATE	BY	ANGULAR :	DATE: 7/28/88
	REVISIONS		±	DR. BY: S.J.J. PART NO.: CQ072F21

FIGLEY STAMPING COMPANY
PHONE: 419-782-6896 FAX: 419-784-5121

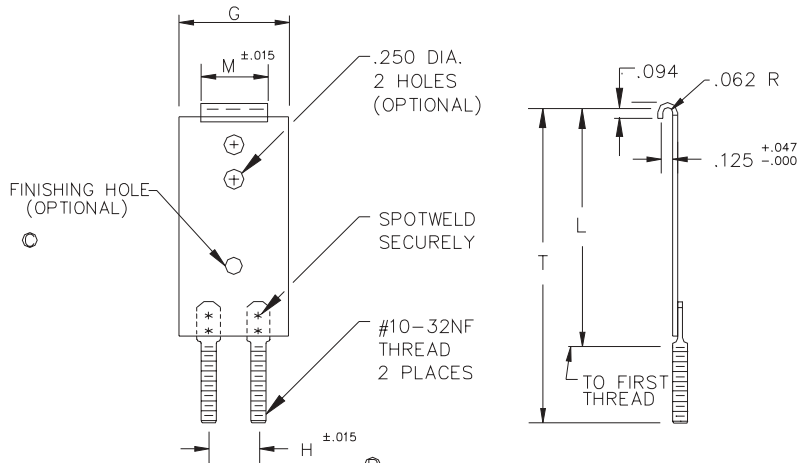
CQ072 SERIES



THIS DRAWING AND INFORMATION IS THE PROPERTY OF FIGLEY STAMPING. IT IS LENT ON THE CONDITION THAT IT, IN WHOLE OR IN PART, SHALL NOT BE REPRODUCED, COPIED, LENT OR DISCLOSED TO ANY THIRD PARTY WITHOUT THE WRITTEN CONSENT OF FIGLEY STAMPING AND SHALL BE RETURNED TO FIGLEY STAMPING.

FIGLEY STAMPING COMPANY
PHONE: 419-782-6896 FAX: 419-784-5121


CQ072 SERIES



FINISH AVAILABLE: BLACK E-COAT IMPRINTED PER MIL-C-19978/3

PART NO.	DIM. "G"	DIM. "H"	DIM. "L"	DIM. "T"	DIM. "M"	CASE HEIGHT	CASE CLASS
SD1	1.375	.625	3.000	4.000	.844	3.250	RD-4
SD2	1.375	.625	3.625	4.625	.844	3.875	RD-4
SD3	1.375	.625	3.750	4.750	.844	4.000	RD-4
SD4	1.375	.625	4.000	5.000	.844	4.250	RD-4
SD5	1.375	.625	4.500	5.500	.844	4.750	RD-4
SE2	1.875	1.250	3.125	4.125	1.344	3.375	RD-5
SE3	1.875	1.250	3.625	4.625	1.344	3.875	RD-5
SE4	1.875	1.250	4.250	5.250	1.344	4.500	RD-5
SE5-SF1	1.875	1.250	4.500	5.500	1.344	4.750	RD-5,6
SE6	1.875	1.250	4.875	5.875	1.344	5.125	RD-5
SF2	1.875	1.250	5.500	6.500	1.344	5.750	RD-6
SG1	2.813	1.250	4.250	5.250	2.281	4.500	RD-7
SG2	2.813	1.250	4.500	5.500	2.281	4.750	RD-7
SG3	2.813	1.938	4.875	5.875	2.281	5.125	RD-7
SG4	2.813	1.938	5.250	6.250	2.281	5.500	RD-7
SJ1	4.000	3.375	3.625	4.625	3.656	3.875	RD-11
SJ2	4.000	3.375	4.125	5.125	3.656	4.375	RD-11
SJ3	4.000	3.375	6.500	5.500	3.656	4.750	RD-11
SJ4	4.000	3.375	5.250	5.875	3.656	5.125	RD-11
SJ5	4.000	3.375	5.500	6.250	3.656	5.500	RD-11
SJ6	4.000	3.375	5.875	6.750	3.656	6.000	RD-11
SJ7	4.000	3.375	6.250	7.250	3.656	6.500	RD-11
SJ8	4.000	3.375	6.750	7.750	3.656	7.000	RD-11
SJ9	4.000	3.375	7.250	8.250	3.656	7.500	RD-11
SJ10	4.000	3.375	8.250	9.250	3.656	8.500	RD-11
SJ11	4.000	3.375	9.375	10.375	3.656	9.625	RD-11
SE1	1.875	1.875	2.500	3.500	1.344	2.750	RD-5

THIS DRAWING AND INFORMATION IS THE PROPERTY OF FIGLEY STAMPING. IT IS LENT ON THE CONDITION THAT IT, IN WHOLE OR IN PART, SHALL NOT BE REPRODUCED, COPIED, LENT OR DISCLOSED TO ANY THIRD PARTY WITHOUT THE WRITTEN CONSENT OF FIGLEY STAMPING AND SHALL BE RETURNED TO FIGLEY STAMPING.

E			TOLERANCES (EXCEPT AS NOTED)	
D	ECN 0276 09/04/97	S.J.J.	DECIMAL :	
C	ECN 0077 11/30/94	S.J.J.	.XX ±	PART NAME: 1CQ072-S CAPACITOR BRKT.
B	12/28/93	S.J.J.	.XXX ± .031	
A	1/17/92	NEP	ANGULAR :	MATL: 16 GA. C.R. STEEL
NO.	DATE	BY	±	
REVISIONS				DATE: 7/20/88 DR. BY: S.J.J. PART NO.: CQ072S21