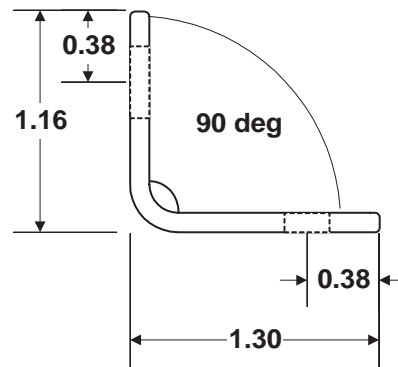
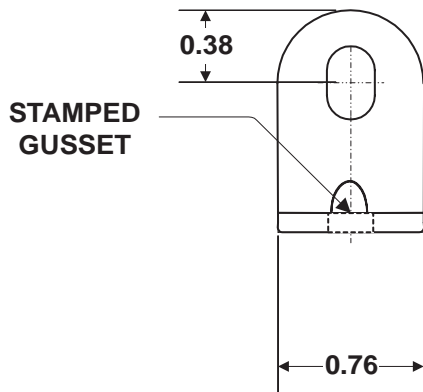
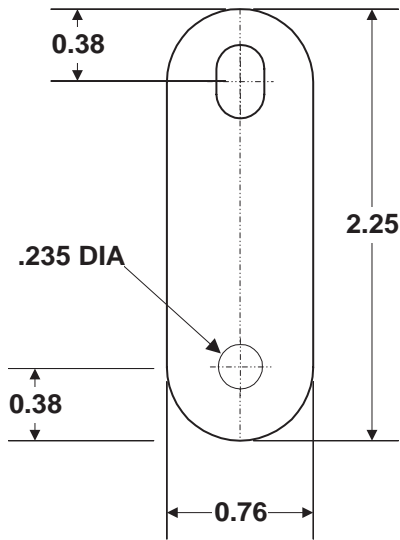


**BLANK**



**MATERIAL:**  
**.097/.105 HRP&O SAE1008/1010 STEEL**

F			TOLERANCES (EXCEPT AS NOTED)	<b>FIGLEY STAMPING CO.</b> DEFIANCE, OH 43512 PHONE: (419)782-6896 FAX: (419)784-5721
E				
D			FRACTION: +/- 1/16	
C			2 PL DEC.: +/- .050	
B			3 PL DEC.: +/- .010	
A	REDRAWN 3/11/03	MGZ	ANGLES: +/- 1 DEGREE	PART NO: <b>510-P</b>
NO.	DATE	BY		PART NAME: <b>"L" Bracket</b>
REVISIONS			DATE: MARCH 11, 2003	DRAWN BY: MGZ
				DO NOT SCALE