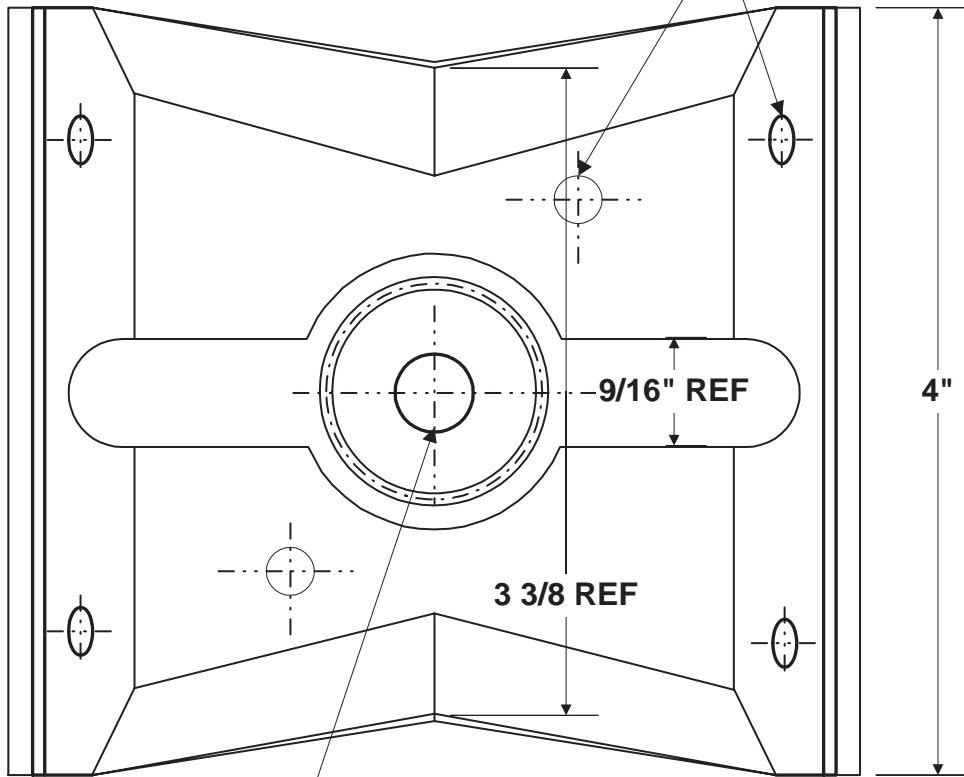
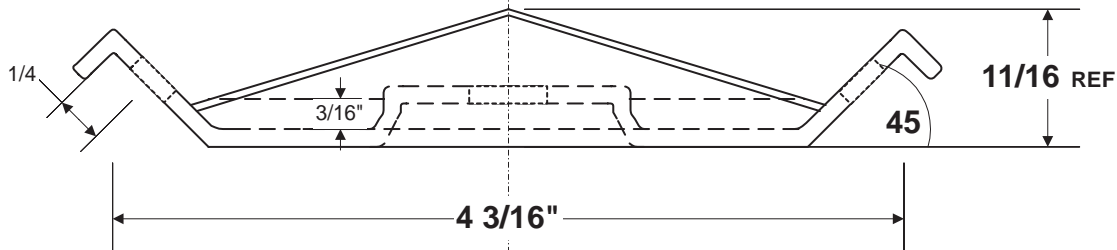


1/4" HOLE +/- 1/16 (6 PLACES)



13/32 DIA



MATERIAL: 13 GA (.0897) SHEET STEEL
HRP&O SAE1008/1010

F			TOLERANCES (EXCEPT AS NOTED)	FIGLEY STAMPING CO. DEFIANCE, OH 43512
E				
D			FRACTION: +/- 1/16	PHONE: (419)782-6896 FAX: (419)784-5721
C			2 PL DEC.: +/- .050	PART NO: 10255
B			3 PL DEC.: +/- .010	
A	REDRAWN 3/3/03	MGZ	ANGLES: +/- 1 DEGREE	PART NAME: NO. 193 H&D TABLE LEG CLAMP
NO.	DATE	BY	DATE: MARCH 3, 2003	DRAWN BY: MGZ
REVISIONS				DO NOT SCALE