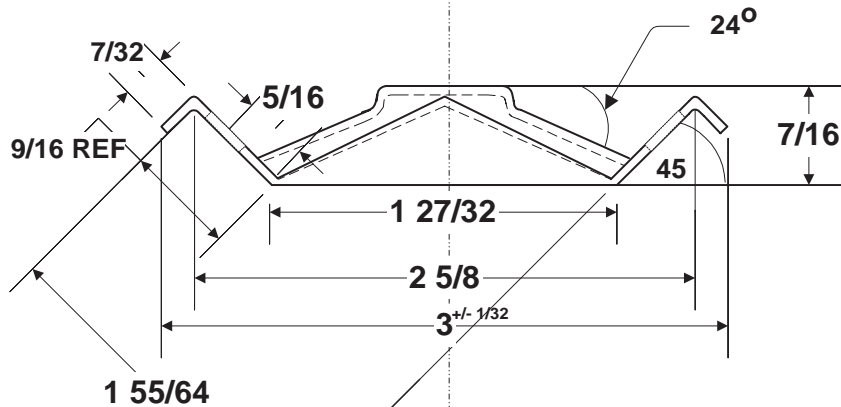


NOTES:

1. UNLESS OTHERWISE SPECIFIED TOLERANCE IS TO BE +/- 1/64.
2. 3/8 DIA. HOLE PIERCE TO BE CHECKED BY PLUG GAGE ONLY.
3. TUMBLE FINISH

MATERIAL:

18 GA (.0478) SAE 1008/1010 STEEL



F			TOLERANCES (EXCEPT AS NOTED)	FIGLEY STAMPING CO. DEFIANCE, OH 43512 PHONE: (419)782-6896 FAX: (419)784-5721
E				
D			FRACTION: +/- 1/16	
C			2 PL DEC.: +/- .050	
B			3 PL DEC.: +/- .010	PART NO.: 10496
A	REDRAWN 6/2/03	MGZ	ANGLES: +/- 1 DEGREE	PART NAME: KD TABLE LEG CLAMP
NO.	DATE	BY		
REVISIONS			DATE: JUNE 2, 2003	DRAWN BY: DO NOT SCALE