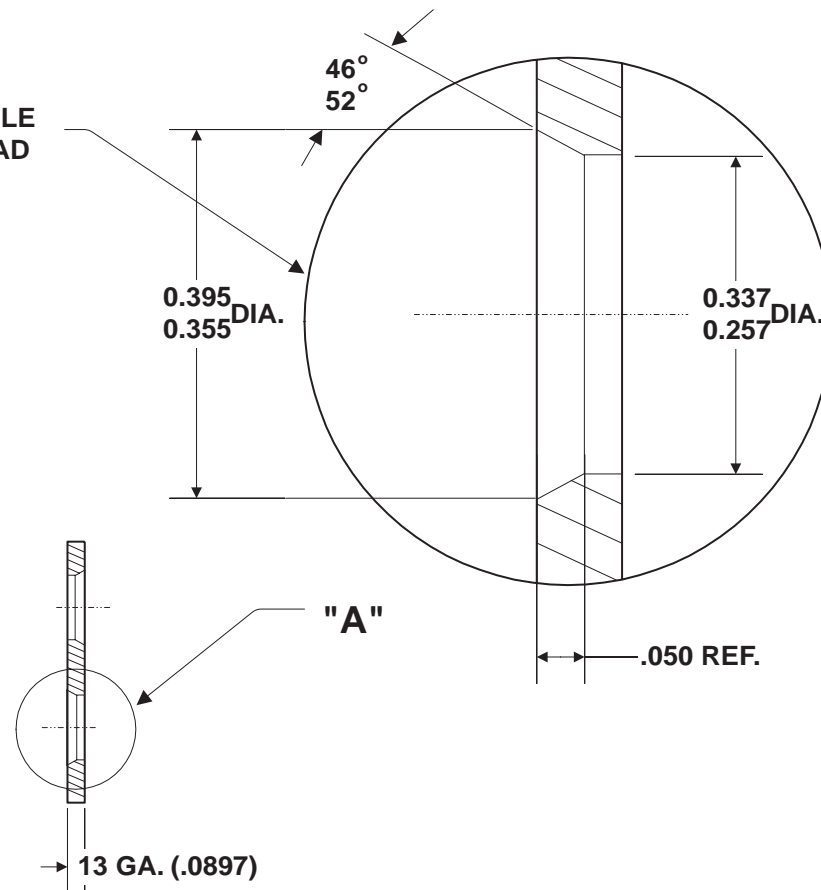
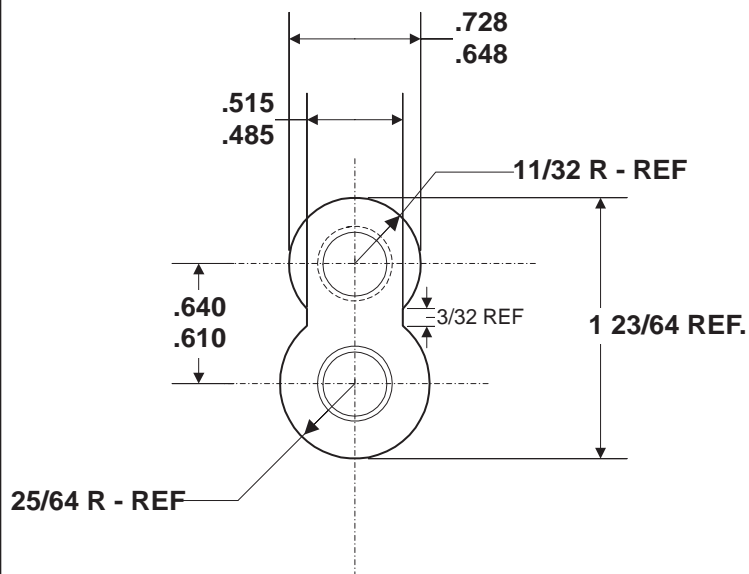


DETAIL "A" - COUNTERSUNK HOLE FOR NO. 9 FLATHEAD WOOD SCREW



**MATERIAL: 13 GA STEEL
HRP&O (.0897)**

F			TOLERANCES (EXCEPT AS NOTED)	FIGLEY STAMPING CO. DEFIANCE, OH 43512 PHONE: (419)782-6896 FAX: (419)784-5721
E				
D			FRACTION: +/- 1/16	
C			2 PL DEC.: +/- .050	
B			3 PL DEC.: +/- .031	
A	REDRAWN 9/3/03	MGZ	ANGLES: +/- 1 DEGREE	PART NO: 10382
NO.	DATE	BY		PART NAME: FIGURE 8 TOP FASTENER-Z
REVISIONS			DATE: 9/3/03	DRAWN BY: MGZ
				DO NOT SCALE