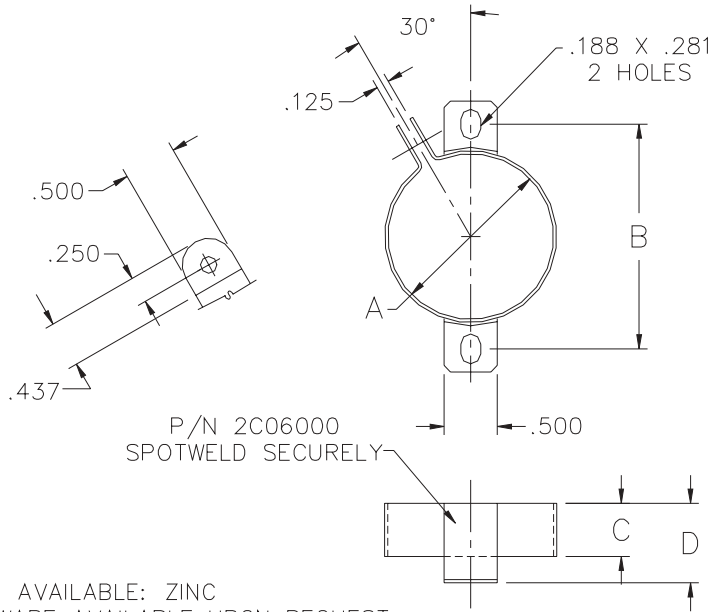


FIGLEY STAMPING COMPANY
PHONE: 419-782-6896 FAX: 419-784-5121

1C1780 SERIES - C.R. STEEL W/ ZINC FINISH
Hardware available upon request




FINISH AVAILABLE: ZINC
 HARDWARE AVAILABLE UPON REQUEST

ALL DIMENSIONS TO BE MEASURED WHEN
 BRACKET IS RIGIDLY HELD TO AVOID SPRINGBACK.

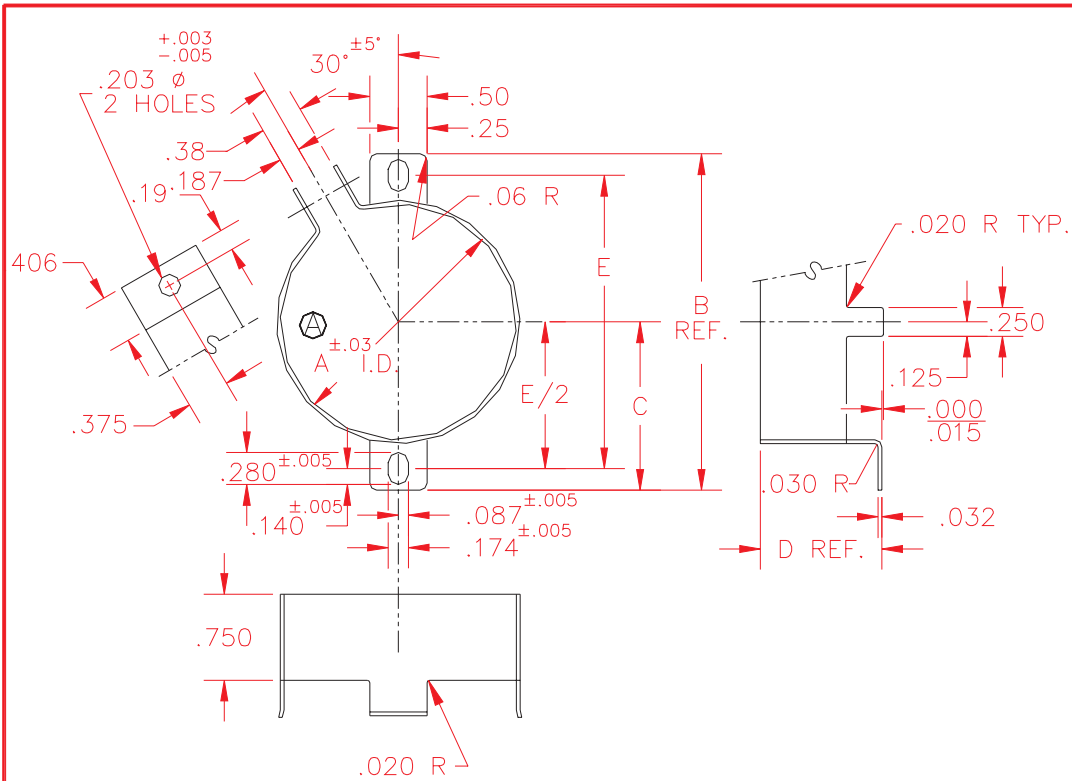
PART NO.	DIM. "A"	DIM. "B"	DIM. "C"	DIM. "D"
01	1.563	2.125	.500	.750
02	1.750	2.313	.500	.750
03	2.000	2.563	.500	.750
04	2.500	3.062	.500	.750
05	2.563	3.125	.500	.750
06	2.062	2.625	.500	.750
07	1.438	2.000	.500	.750
08	3.000	3.563	.500	.750
09	1.375	1.938	.500	.750
10	1.813	2.375	.500	.750
11	1.062	1.625	.500	.750
12	3.062	3.625	.500	.750
13	1.250	1.813	.500	.750
14	1.500	2.062	.500	.750
15	1.000	1.563	.500	.750
16	3.500	4.062	.500	.750
17	1.125	4.688	.500	.750
18	2.625	2.188	.500	.750
19	1.181	1.743	.500	.750
20	2.969	3.531	.500	.750

THIS DRAWING AND INFORMATION IS THE PROPERTY OF FIGLEY STAMPING. IT IS LENT ON THE CONDITION THAT IT, IN WHOLE OR IN PART, SHALL NOT BE REPRODUCED, COPIED, LENT OR DISCLOSED TO ANY THIRD PARTY WITHOUT THE WRITTEN CONSENT OF FIGLEY STAMPING AND SHALL BE RETURNED TO FIGLEY STAMPING.

E			TOLERANCES (EXCEPT AS NOTED) DECIMAL : .XX ± .XXX ± .031	 FIGLEY STAMPING COMPANY
D				
C				
B				
A				
NO.	DATE	BY	ANGULAR :	PART NAME:
			± 3°	1C1780 CAPACITOR CLAMP
REVISIONS				MATL: 22 GA. C.R. STEEL
				DATE: 7/21/98 DR. BY: L.J.B. PART NO.: 1780P1


FIGLEY STAMPING COMPANY
PHONE: 419-782-6896 FAX: 419-784-5121

1C1781 SERIES - C.R. STEEL W/ ZINC FINISH
Hardware available upon request



THIS DRAWING AND INFORMATION IS THE PROPERTY OF FIGLEY STAMPING. IT IS LENT ON THE CONDITION THAT IT, IN WHOLE OR IN PART, SHALL NOT BE REPRODUCED, COPIED, LENT OR DISCLOSED TO ANY THIRD PARTY WITHOUT THE WRITTEN CONSENT OF FIGLEY STAMPING AND SHALL BE RETURNED TO FIGLEY STAMPING.

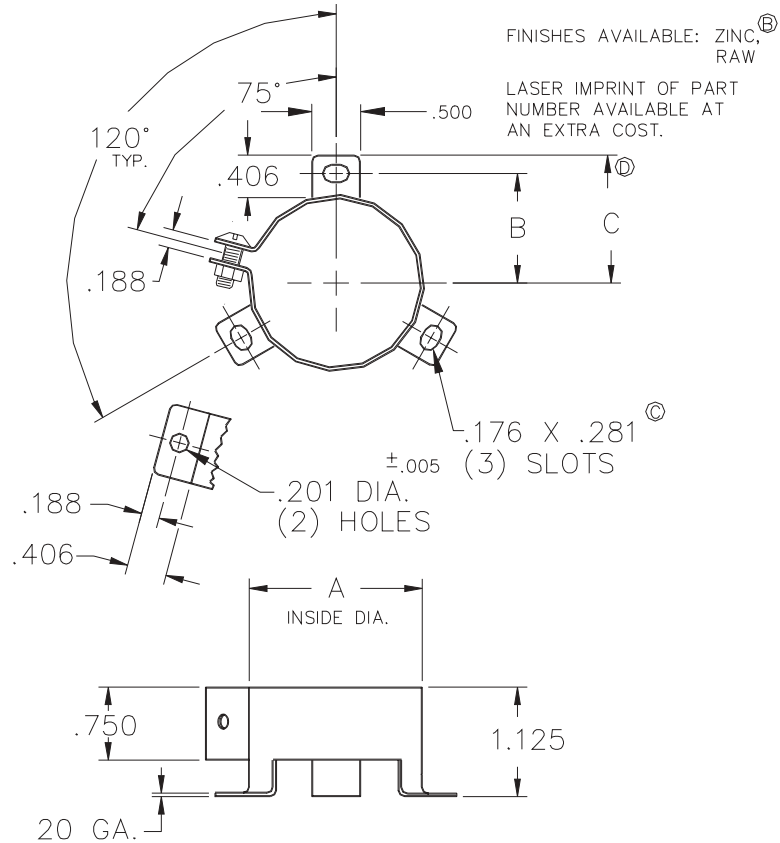
PART #	DIM "A"	DIM "B"	DIM "C"	DIM "D"	DIM "E"
1C1781-02	2.06	3.032	1.516	1.060	2.56
1C1781-03	2.56	3.437	1.72	1.125	3.00
1C1781-04	3.06	3.937	1.968	1.125	3.50

E			TOLERANCES (EXCEPT AS NOTED) DECIMAL : .XX ± .031 .XXX ± .031	 FIGLEY STAMPING COMPANY
D				
C				
B				
A				
NO.	DATE	BY	ANGULAR :	PART NAME:
			±	1C1781 CAPACITOR BRKT.
REVISIONS				MATL: 20 GA. C.R. STEEL
				DATE: 10/18/95 DR. BY: S.J.J. PART NO.: 1781P1

FIGLEY STAMPING COMPANY
PHONE: 419-782-6896 FAX: 419-784-5121

1C1782 SERIES - C.R. STEEL W/ ZINC FINISH
Hardware available upon request


THIS DRAWING AND INFORMATION IS THE PROPERTY OF FIGLEY STAMPING. IT IS LENT ON THE CONDITION THAT IT, IN WHOLE OR IN PART, SHALL NOT BE REPRODUCED, COPIED, LENT OR DISCLOSED TO ANY THIRD PARTY WITHOUT THE WRITTEN CONSENT OF FIGLEY STAMPING AND SHALL BE RETURNED TO FIGLEY STAMPING.



ALL DIMENSIONS TO BE MEASURED WHEN BRACKET IS RIGIDLY HELD TO AVOID SPRINGBACK.

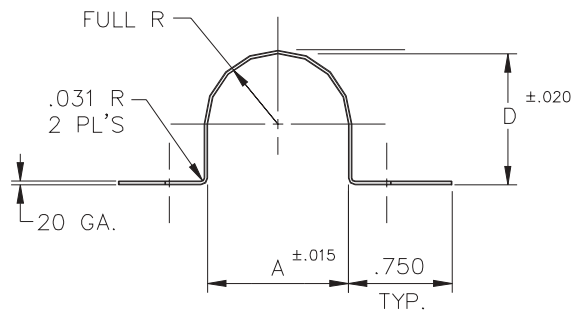
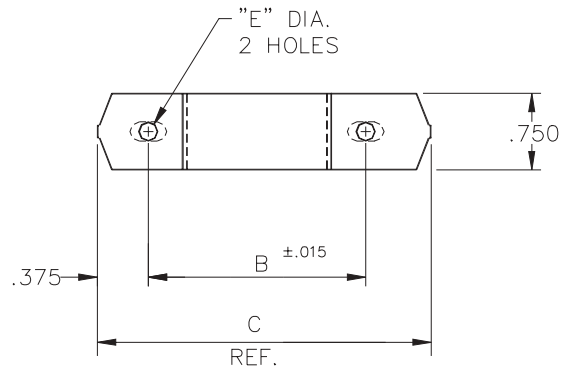
PART NO.	DIM. "A"	DIM. "B"	DIM. "C"
-01	1.750	1.125	1.312
-02	2.000	1.250	1.437
-03	2.500	1.500	1.687
-04	3.000	1.750	1.937

BRACKETS CAN BE FURNISHED WITH 10-32NF-2A X .750 SCREW AND HEX NUT

E			TOLERANCES (EXCEPT AS NOTED)	 FIGLEY STAMPING COMPANY
D	ECN 0290 01/22/98	L.J.B.	DECIMAL :	
C	ECN 0139 09/05/95	S.J.J.	.XX ±	PART NAME :
B	6/9/93	S.J.	.XXX ± .031	1C1782 CAPACITOR BRKT.
A	12/18/91	NEP	ANGULAR :	MATL :
NO.	DATE	BY	±	20 GA. C.R. STEEL
REVISIONS				DATE :
				DR. BY : S.J.J.
				PART NO. : 1782P1

FIGLEY STAMPING COMPANY
PHONE: 419-782-6896 FAX: 419-784-5121

1C1783 SERIES - C.R. STEEL W/ ZINC FINISH
Hardware available upon request




FINISH AVAILABLE: ZINC
 NO IMPRINT REQUIRED

ALL DIMENSIONS TO BE MEASURED WHEN
 BRACKET IS RIGIDLY HELD TO AVOID SPRINGBACK

PART NO.	DIM. "A"	DIM. "B"	DIM. "C"	DIM. "D"	DIM. "E"
01	1.375	2.125	2.875	1.281	.219
02	2.000	2.750	3.500	1.906	.219
03	3.000	3.750	4.500	2.906	.219
04	2.500	3.250	4.000	2.406	.219
05	1.750	2.500	3.250	1.656	.219
06	1.625	2.375	3.125	1.562	.219
07	2.500	3.250	4.000	2.593	.219
08	1.375	2.312	2.875	1.281	.218 X .406
09					

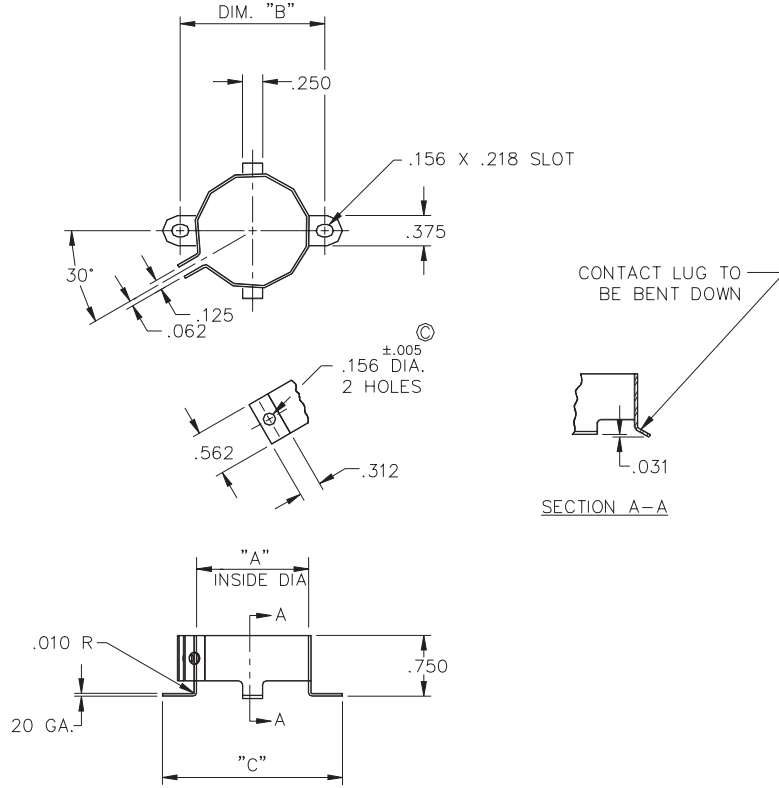
THIS DRAWING AND INFORMATION IS THE PROPERTY OF FIGLEY STAMPING. IT IS LENT ON THE CONDITION THAT IT, IN WHOLE OR IN PART, SHALL NOT BE REPRODUCED, COPIED, LENT OR DISCLOSED TO ANY THIRD PARTY WITHOUT THE WRITTEN CONSENT OF FIGLEY STAMPING AND SHALL BE RETURNED TO FIGLEY STAMPING.

E			TOLERANCES (EXCEPT AS NOTED) DECIMAL : .XX ± .XXX ± .031	
D				
C				
B				
A				
NO.	DATE	BY	ANGULAR :	PART NAME:
			±	1C1783 CAPACITOR CLAMP
REVISIONS				MATL: 20 GA. X .750 STEEL
				DATE: 7/21/98 DR. BY: L.J.B. PART NO.: 1783P1

FIGLEY STAMPING COMPANY
PHONE: 419-782-6896 FAX: 419-784-5121

1C1784 SERIES - C.R. STEEL W/ ZINC FINISH
Hardware available upon request


THIS DRAWING AND INFORMATION IS THE PROPERTY OF FIGLEY STAMPING. IT IS LENT ON THE CONDITION THAT IT, IN WHOLE OR IN PART, SHALL NOT BE REPRODUCED, COPIED, LENT OR DISCLOSED TO ANY THIRD PARTY WITHOUT THE WRITTEN CONSENT OF FIGLEY STAMPING AND SHALL BE RETURNED TO FIGLEY STAMPING.



ALL DIMENSIONS TO BE MEASURED WHEN BRACKET IS RIGIDLY HELD TO AVOID SPRINGBACK.

PART NO.	DIM. "A"	DIM. "B"	DIM. "C"
01	1.000	1.438	1.875
02	1.375	1.781	2.219
03	1.500	1.938	2.375
04	1.750	2.188	2.625
05			

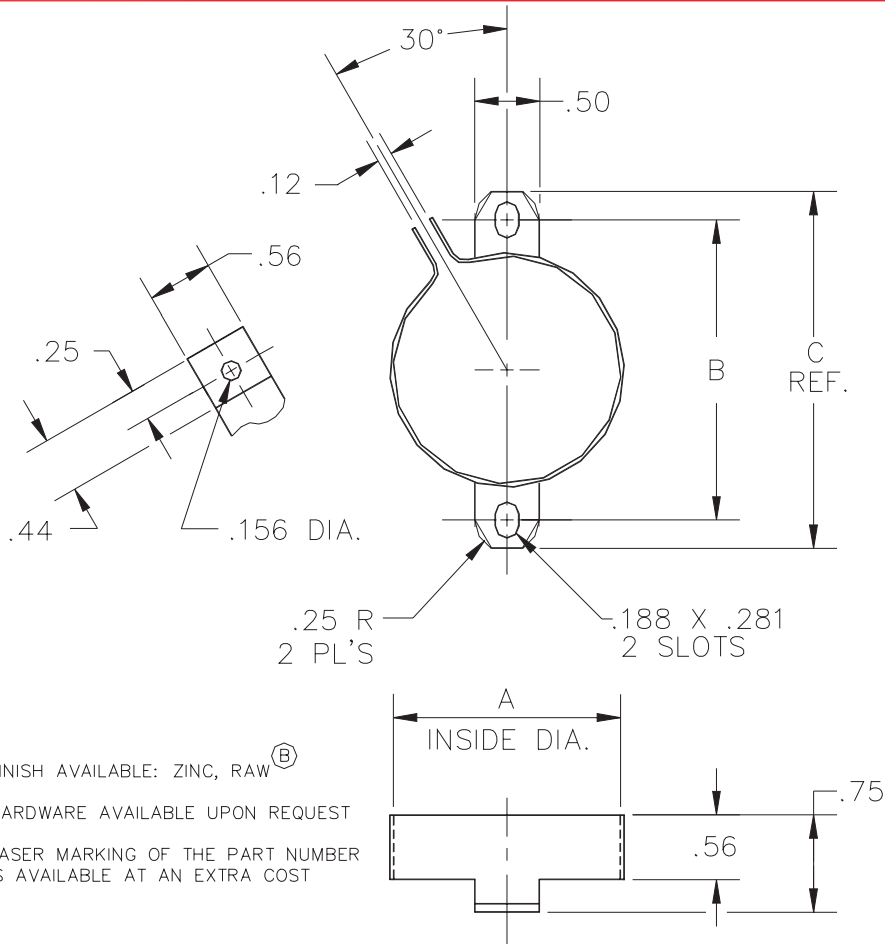
FINISH AVAILABLE: ZINC, RAW ^(B) HARDWARE AVAILABLE UPON REQUEST
 LASER MARKING OF PART NUMBER AVAILABLE AT AN EXTRA COST

E			TOLERANCES (EXCEPT AS NOTED)	
D			DECIMAL :	
C	ECN 0061 10/14/94	S.J.J.	.XX ±	PART NAME: 1C1784 CAPACITOR CLAMP
B	6/9/93	S.J.	.XXX ± .031	
A	11-20-91	NEP	ANGULAR :	MATL: 20 GA. C.R. STEEL
NO.	DATE	BY	±	DATE: 3/1/88
REVISIONS				DR. BY: S.J.J. PART NO.: 1784P1

FIGLEY STAMPING COMPANY
PHONE: 419-782-6896 FAX: 419-784-5121


1C1785 SERIES - C.R. STEEL W/ ZINC FINISH
Hardware available upon request

THIS DRAWING AND INFORMATION IS THE PROPERTY OF FIGLEY STAMPING. IT IS LENT ON THE CONDITION THAT IT, IN WHOLE OR IN PART, SHALL NOT BE REPRODUCED, COPIED, LENT OR DISCLOSED TO ANY THIRD PARTY WITHOUT THE WRITTEN CONSENT OF FIGLEY STAMPING AND SHALL BE RETURNED TO FIGLEY STAMPING.



ALL DIMENSIONS TO BE MEASURED WHEN BRACKET IS RIGIDLY HELD TO AVOID SPRINGBACK.

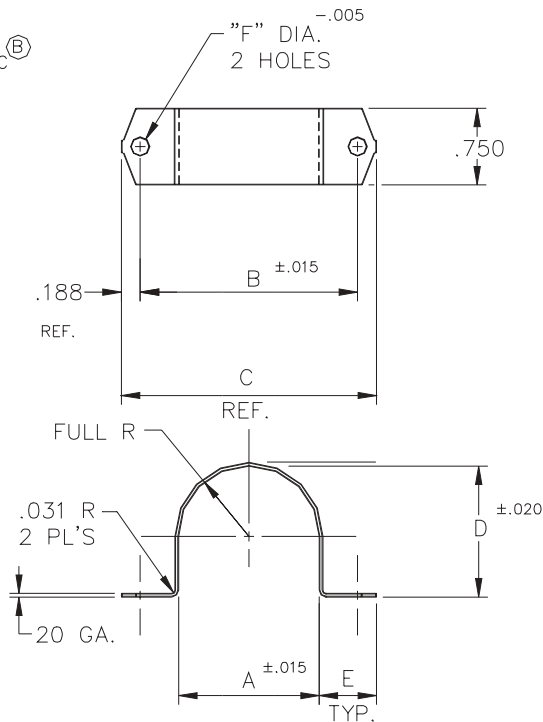
PART NO.	DIM. "A"	DIM. "B"	DIM. "C"
03	2.00	2.56	3.00
04	2.50	3.06	3.50
08	3.00	3.56	4.00

E			TOLERANCES (EXCEPT AS NOTED)	 FIGLEY STAMPING COMPANY
D				
C			DECIMAL :	PART NAME: 1C1785 CAPACITOR CLAMP
B	6/9/93	S.J.	.XX ±	
A	1/15/92	NEP	.XXX ± .031	
NO.	DATE	BY	ANGULAR :	MATL: 20 GA. C.R. STEEL
REVISIONS			±	DATE: 1/2/87 DR. BY: S.J.J. PART NO.: 1785P1

FIGLEY STAMPING COMPANY
PHONE: 419-782-6896 FAX: 419-784-5121

1C1786 SERIES - C.R. STEEL W/ ZINC FINISH
Hardware available upon request


FINISH AVAILABLE: ZINC [ⓑ]
 NO IMPRINT REQUIRED



PART NO.	DIM. "A"	DIM. "B"	DIM. "C"	DIM. "D"	DIM. "E"	DIM. "F"
01	1.375	2.125	2.500	1.281	.56	.188
02	2.000	2.750	3.125	1.906	.56	.188
03	3.000	3.750	4.125	2.906	.56	.188
04	2.500	3.250	3.625	2.406	.56	.188
05	1.750	2.500	2.875	1.656	.56	.188
06	1.625	2.500	2.875	1.531	.62	.188
07	1.750	2.562	2.938	1.656	.59	.188
08	2.250	3.000	3.375	2.156	.56	.188
09	1.550	2.298	2.674	1.650	.56	.156
10	3.000	3.750	4.125	3.020	.56	.188
11	1.500	2.250	2.625	1.406	.56	.188
12	2.750	3.250	3.870	2.750	.56	.188
13	3.500	4.250	4.625	3.481	.56	.188
14	1.750	2.500	2.875	1.656	.56	NONE
15	3.031	3.736	4.111	2.864	.54	.188

THIS DRAWING AND INFORMATION IS THE PROPERTY OF FIGLEY STAMPING. IT IS LENT ON THE CONDITION THAT IT, IN WHOLE OR IN PART, SHALL NOT BE REPRODUCED, COPIED, LENT OR DISCLOSED TO ANY THIRD PARTY WITHOUT THE WRITTEN CONSENT OF FIGLEY STAMPING AND SHALL BE RETURNED TO FIGLEY STAMPING.

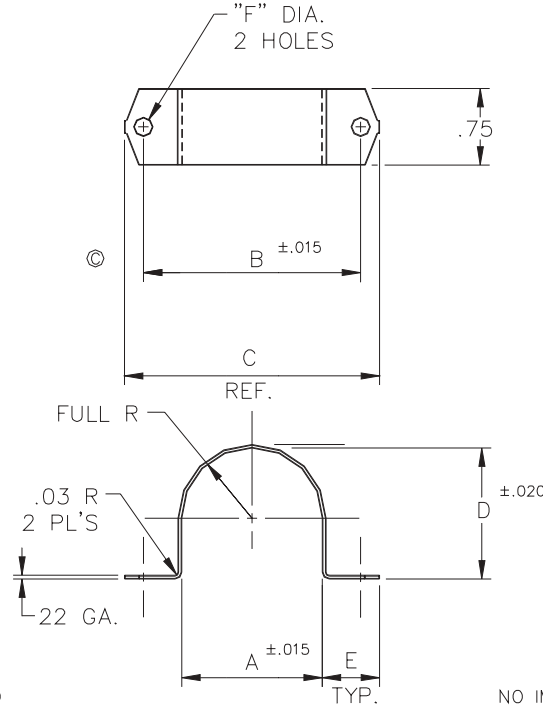
ALL DIMENSIONS TO BE MEASURED WHEN BRACKET IS RIGIDLY HELD TO AVOID SPRINGBACK

F	ECN 0236 12/26/96	S.J.J.		
E	ECN 0173 04/08/96	S.J.J.	TOLERANCES (EXCEPT AS NOTED)	
D	ECN 0169 02/28/96	S.J.J.	DECIMAL :	
C	ECN 0159 01/08/96	S.J.J.	.XX ±	
B	6/9/93	S.J.	.XXX ± .031	
A	12/19/91	NEP	ANGULAR :	PART NAME: 1C1786 CAPACITOR CLAMP
NO.	DATE	BY	±	MATL: 20 GA. X .750 STEEL
REVISIONS				DATE: 1/2/88 DR. BY: S.J.J. PART NO.: 1786P1

FIGLEY STAMPING COMPANY
PHONE: 419-782-6896 FAX: 419-784-5121

1C1786 SERIES - C.R. STEEL W/ ZINC FINISH
Hardware available upon request

ALL DIMENSIONS TO BE MEASURED WHEN BRACKET IS RIGIDLY HELD TO AVOID SPRINGBACK




FINISH: GALVANIZED

NO IMPRINT REQUIRED

PART NO.	DIM. "A"	DIM. "B"	DIM. "C"	DIM. "D"	DIM. "E"	DIM. "F"
01	1.375	2.125	2.500	1.281	.56	.188
02	2.000	2.750	3.125	1.906	.56	.188
03	3.000	3.750	4.125	2.906	.56	.188
04	2.500	3.250	3.625	2.406	.56	.188
05	1.750	2.500	2.875	1.656	.56	.188
06	1.625	2.500	2.875	1.531	.62	.188
07	1.750	2.562	2.938	1.656	.59	.188
08	2.250	3.000	3.375	2.156	.56	.188
09	1.550	2.298	2.674	1.650	.56	.156
10	3.000	3.750	4.125	3.020	.56	.188
11	1.500	2.250	2.625	1.406	.56	.188
12	2.750	3.250	3.870	2.750	.56	.188
13	3.500	4.250	4.625	3.481	.56	.188
14	1.750	2.500	2.875	1.656	.56	NONE
15	3.031	3.736	4.111	2.864	.54	.188

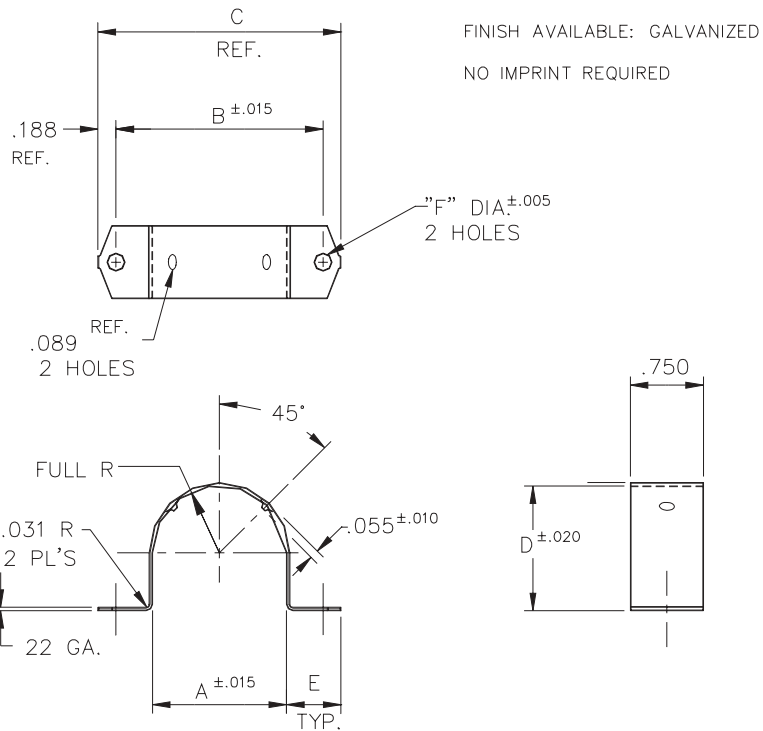
THIS DRAWING AND INFORMATION IS THE PROPERTY OF FIGLEY STAMPING. IT IS LENT ON THE CONDITION THAT IT, IN WHOLE OR IN PART, SHALL NOT BE REPRODUCED, COPIED, LENT OR DISCLOSED TO ANY THIRD PARTY WITHOUT THE WRITTEN CONSENT OF FIGLEY STAMPING AND SHALL BE RETURNED TO FIGLEY STAMPING.

F	ECN 0236 12/26/96	S.J.J.		 FIGLEY STAMPING COMPANY
E	ECN 0173 4/8/96	S.J.J.	TOLERANCES (EXCEPT AS NOTED)	
D	WAS .56 12/21/93	S.J.J.	DECIMAL :	
C	WAS 3.625 11/18/93 REM .19 DIM.	S.J.J.	.XX ±	
B	10/22/93	S.J.J.	.XXX ± .031	
A	1/15/92	NEP	ANGULAR :	PART NAME: 1C1786G CAPACITOR CLAMP
NO.	DATE	BY	±	MATL: 22 GA. X .750 GALV.
REVISIONS				DATE: 1/2/88 DR. BY: S.J.J. PART NO.: 1786GP1

FIGLEY STAMPING COMPANY
PHONE: 419-782-6896 FAX: 419-784-5121

1C1786 SERIES - C.R. STEEL W/ ZINC FINISH
Hardware available upon request

THIS DRAWING AND INFORMATION IS THE PROPERTY OF FIGLEY STAMPING. IT IS LENT ON THE CONDITION THAT IT, IN WHOLE OR IN PART, SHALL NOT BE REPRODUCED, COPIED, LENT OR DISCLOSED TO ANY THIRD PARTY WITHOUT THE WRITTEN CONSENT OF FIGLEY STAMPING AND SHALL BE RETURNED TO FIGLEY STAMPING.



ALL DIMENSIONS TO BE MEASURED WHEN
BRACKET IS RIGIDLY HELD TO AVOID SPRINGBACK.

PART NO.	DIM. "A"	DIM. "B"	DIM. "C"	DIM. "D"	DIM. "E"	DIM "F"
01	1.375	2.125	2.500	1.281	.56	.188
02	2.000	2.750	3.125	1.906	.56	.188
03	3.000	3.750	4.125	2.906	.56	.188
04	2.500	3.250	3.625	2.406	.56	.188
05	1.750	2.500	2.875	1.656	.56	.188
06	1.625	2.500	2.875	1.531	.62	.188
07	1.750	2.562	2.938	1.656	.59	.188
08	2.250	3.000	3.375	2.156	.56	.188
09	1.550	2.298	2.674	1.650	.56	.156
10	3.000	3.750	4.125	3.020	.56	.188
11	1.500	2.250	2.625	1.406	.56	.188
12	2.750	3.250	3.870	2.750	.56	.188
13	3.500	4.250	4.625	3.481	.56	.188
14	1.750	2.500	2.875	1.656	.56	NONE
15	3.031	3.736	4.111	2.864	.54	.188

E			TOLERANCES (EXCEPT AS NOTED)	
D				
C	ECN 0236 12/26/96	S.J.J.	DECIMAL :	PART NAME: 1C1786-GL CAPACITOR CLAMP
B	ECN 0173 4/8/96	S.J.J.	.XX ±	
A	12/19/91	NEP	.XXX ± .031	
NO.	DATE	BY	ANGULAR :	MATL: 22 GA. X .750 GALV.
REVISIONS			±	DATE: 1/2/88
				DR. BY: S.J.J.
				PART NO.: 1786GLP1